

# Pro-series

CanePro | LogPro



**BELL**

# Right tool for the job

The Pro-series are purpose-built zone loading tools. Focused on high volume and low cost per tonne logistics. With working load limits of 1 750kg. The Pro-series offer unmatched turnaround times coupled with class leading efficiency and safety.

Developed to be a cost-effective zone loading solution for sugarcane and timber logistics, the electric over hydraulic drive concept has efficiency at its core, adding to operator ergonomics and technological advancement. To promote exceptional performance the Pro-series utilises a simple and efficient hydrostatic-mechanical drivetrain.

The innovated dynamic counter-weight creates a low centre of gravity as the operator alternates between loading and manoeuvring. As with all Bell machines, the Pro-series is fitted with components supplied by the world's leading OEM suppliers to provide users with a high-quality product that delivers unrivalled value to sugar and timber operations where cost-per-tonne is the number one priority.

Unlock the full potential of your harvesting operations with the Bell Pro-series. Engineered to deliver superior performance, unmatched reliability, and exceptional operator comfort, the Bell Pro-Series is designed to meet the demands of the grower. Let us take you through the remarkable features and benefits of the Bell Pro-Series that will revolutionize your harvesting experience.



POWER / TORQUE



GROUND WEIGHT



GRAPPLE SIZE



WORKING LOAD LIMIT

<b>CanePro</b>	63kW / 320Nm	8 000kg	0,7m <sup>2</sup>	1 750kg
<b>LogPro</b>	63kW / 320Nm	7 500kg	0,5m <sup>2</sup>	1 750kg



# Complete loading solution



## Sliding counterweight

Dynamic counter weight shifts forward to the rear as a load is lifted. This increases stability and when there is no load lifted the weigh shifts forwards, allowing agile manoeuvring and operation.



## Axial piston pump

Variable displacement pump supplying the exact flow required in any given scenario. This ensures peak efficiency of the hydraulic system.



## Door safety switch

Proximity switch that will inhibit machine movement when the cabin door is open as a standard safety feature.



## Load sensing system

Hydraulic system only demands flow of the pump when a function is used.



## Engine protection parameters

Safety parameters set to protect the engine and hydraulic components.

# Powerful performance

The Bell Pro-series, powered by the JCB Diesel Max 444 T2 NA engine, delivers an impressive 63kW 84hp of power at 2 200rpm, ensuring a power-packed performance for timber and cane loading operations.

- With its peak torque of 320Nm at 1 200rpm, the Bell Pro-series's 4.4 litre, four-cylinder, direct injection mechanical engine guarantees reliable and efficient operation while providing the necessary strength for demanding loading tasks.
- The JCB Diesel Max 444 T2 NA engine features a dry element filtration system with a secondary safety element and an onboard electronic engine protection system. This ensuring optimal engine performance and protection during trailer loading while the Pro-series's 150-litre fuel tank capacity keeps productivity high throughout the day.



# Versatile handling

The Bell Pro-series's overhead boom is equipped with dual lifting cylinders and internal hose routing to ensure efficient and reliable handling.

- On the CanePro the MC700 grapple (0,7m<sup>2</sup>), featuring the Replaceable fine tips, guarantees maximum production. The design incorporates a wearing part into the grab which can be replaced quickly, easily and at a low cost.
- On the LogPro, the 0.5m<sup>2</sup> MT500LB grapple coupled with the Indexator GV12SA ensures long lasting build quality. Designed and manufactured in-house, the grapple conforms to our motto of strong and reliable.



With independent control of each wheel via the drive pedals. And due to the castoring rear wheel, the operator is able to rotate the machine in one spot. Making it a great benefit in terms of manoeuvring up and down in limited spacing between stockpile and trailer. No 3-point turns required. Boosting loading times and highlighting the efficiency of these machines. The pedal steering frees up the hands of the operator allowing them to have a hand on the joystick at all times.

## Hydrostatics/ tyres

- The spring-applied, hydraulic release park brake will hold the machine unless the operator door is completely closed.
- Hydrostatic drive system makes use of variable displacement, axial piston pumps. Supplying the Two speed drive motors it can attain a top speed of 15kmph. Making it efficient while loading and operating slowly, or while driving the machine to site.
- Equipped with standard 23.1 - 26 tyres, the Bell Pro-Series provides reliable traction. For enhanced performance and even greater traction.
- The Bell Pro-series can be narrowed to a width of 2,960mm, making it compact and manoeuvrable.

## Electrical system

- The electrical system of the Bell Pro-Series includes a single 12-volt battery and a 14-volt 95-amp alternator. With LED worklights, a reverse alarm, and a hooter, you can work with confidence and safety in all conditions.

# Smooth operator

- The Bell Pro-series is equipped with a variable displacement axial piston pump and a load sensing hydraulic system. The single control valve with integrated flow sharing ensures optimal hydraulic performance. The onboard electronic protection system and CANbus driven operator controls, provide low-effort precision control and enhanced safety.
- The Pro-series's hydraulic system delivers a high flow rate of 100l/min @ 1 800rpm, ensuring efficient and responsive hydraulic operations during timber and cane loading. With a system pressure of 250 bar and an ample 100-liter hydraulic tank capacity, the Pro-series guarantees smooth and reliable hydraulic performance.
- The Bell Pro-series focuses on operator comfort and productivity with its rubber-mounted, glazed, and airconditioned operator cab providing a comfortable working environment even in challenging conditions. The ergonomic operator controls, including the multi-function joystick, make operating the Pro-series precise and effortless, enhancing productivity and reducing operator fatigue. The large window and foot window of the Pro-series improves visibility, allowing operators to navigate loading operations with ease. The fully adjustable operator seat, along with the 4-point safety harness, ensures operator comfort and safety. The ROPS/FOPS/OPS compliant operator cab further enhances safety and convenience for the operator. Complying to industry safety requirements.

## Camera screen

The standard-fitted Brigade camera system gives an operator a clear view from the rear of the Pro. Added to that is a boom-mounted camera that gives them a comprehensive view of the load inside the trailer or train. This ensures safety when manoeuvring and better packing of their loads. The screen can be set to display either one of the views or both in split-screen.

## LCD display

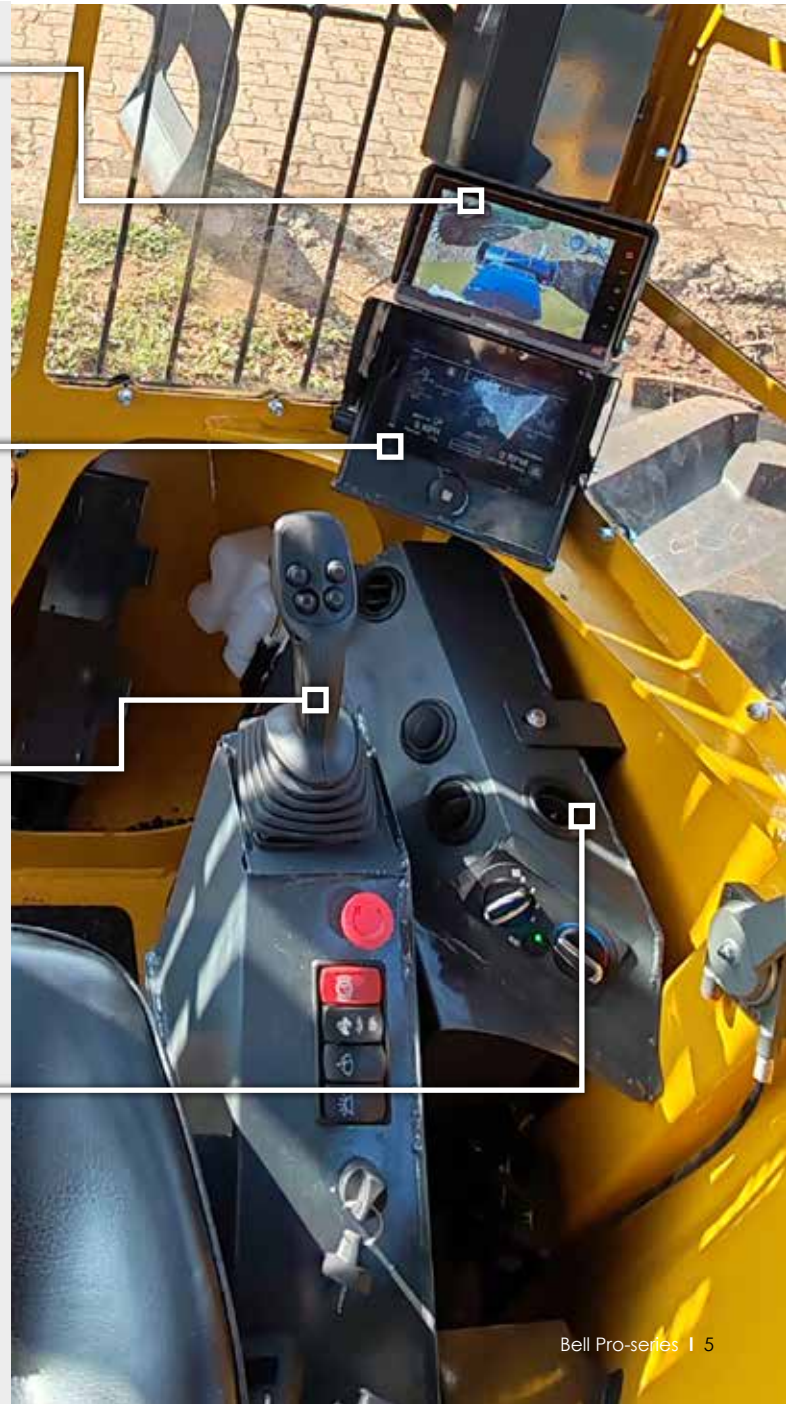
Multi-function (interactive) touch screen - The LCD display shows real-time monitoring and diagnostics of all system parameters, promoting peak performance. To ensure safe operation and optimal performance, the LCD shows both longitudinal/lateral and pitch/angle.

## Joystick

The Pro-series's joysticks are a great blend of ergonomics, ruggedness, functionality, and flexibility. It's the perfect tool for precise and effortless control that enhances productivity and reducing operator fatigue.

## Air conditioner

Keeping your cool is key. Cabin comforts would be incomplete without the HVAC system keeping the operator comfortable. Cooling, heating or fan only are the settings featured on the standard HVAC unit. Three fan speeds and variable temperature adjustment make the air conditioner a crucial component in operator ergonomics.



## ENGINE

JCB Diesel Max 444 T2 NA  
 Power: 63 kW (84 hp) @ 2 200 rpm  
 Peak torque: 320 Nm (236 lb-ft) @ 1 200 rpm  
 4.4 litre, 4-Cylinder, Direct Injection  
 Mechanical engine: Equipped with a dry element filtration system with secondary safety element.  
 Onboard electronic engine protection system.  
 Fuel tank capacity: 150 litres

## DRIVE SYSTEM

Hydrostatic drive system: Variable displacement, Axial piston pump.  
 Two wheel drive  
 Two speed drive motors  
 Maximum speed: 15 km/h (9.4 mph)

## AXLES AND TYRES

Rigid front axle  
 Single rear castoring wheel  
 Steering by differential drive: operator pedal controlled.  
 Tyre Size - Front: 23.1 - 26  
 Tyre Size - Rear: 500/50 - 17

## BRAKES

Hydrostatic dynamic braking system  
 Spring applied, hydraulic release park brake

## GRAPPLE AND ROTATOR

Free hanging timber grapple: Bell MT500LB (0.5 m<sup>2</sup>)  
 Rotator: Indexator Heavy-Duty GV12SA

## HYDRAULIC SYSTEM

Variable displacement axial piston pump  
 Load sensing hydraulic system  
 Single control valve with integrated flow sharing  
 Onboard electronic hydraulic system protection system.  
 CANbus operator controls: low effort precision control.  
 Hydraulic tank capacity: 100 litres

## ELECTRICAL SYSTEM

Single battery: 12 volt  
 Alternator: 14 volt 95 amp  
 LED worklights, reverse alarm & hooter

## OPERATOR STATION

Good visibility all around the machine from the operator position.

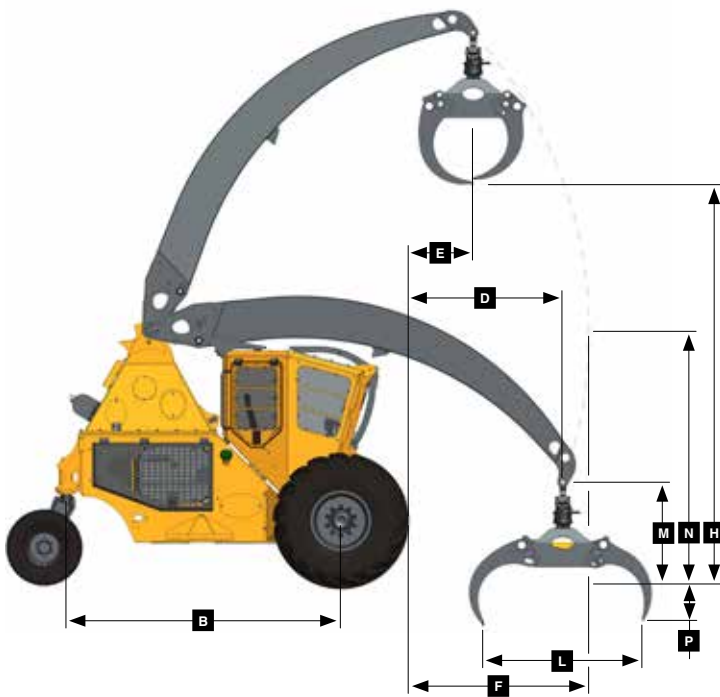
Rubber mounted operator cab  
 Polycarbonate glazed and HVAC air-conditioned operator cab.  
 Ergonomic operator controls: single joystick primary control.  
 Instrumentation: LCD display for all systems parameters monitoring and diagnostics  
 Fully adjustable operator seat with 4-point safety harness.  
 ROPS/FOPS/OPS compliant operator cab

## WEIGHTS AND DIMENSIONS

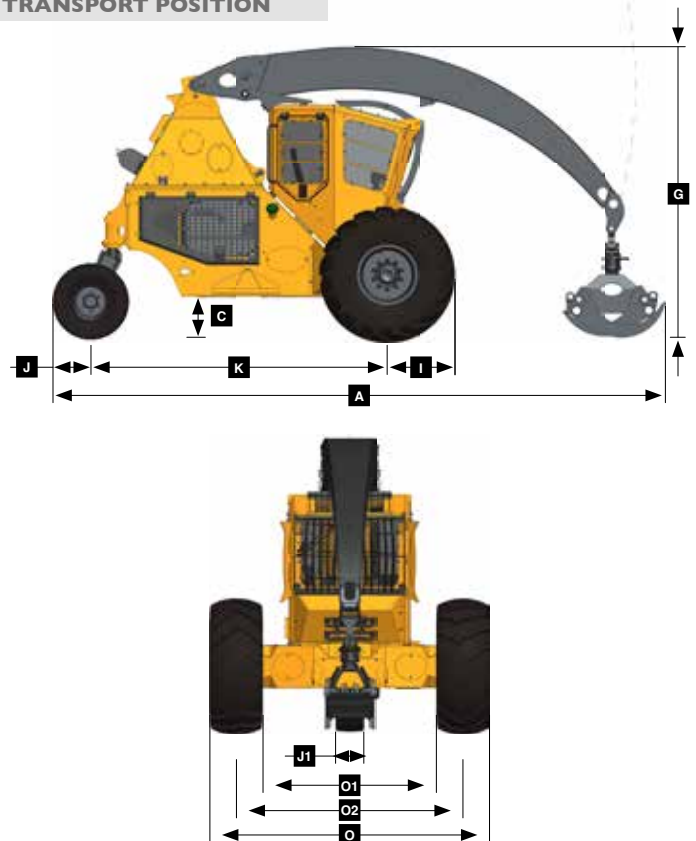
Overall Width: 3 210 mm (2 960 mm turned in)  
 Max Lift Height (measured under grab): 4 577 mm  
 Safe Lifting Load: 1 750 kg  
 Operating Weight: 7 500 kg

## Dimensions

### OPERATING POSITION



### TRANSPORT POSITION



## MACHINE DIMENSIONS

A	Length – transport position, grab closed	7 030 mm	J1	Tailwheel tyre width	324 mm
B	Front axle to tailwheel centre	3 150 mm	K	Front axle centre to tailwheel centre	3 400 mm
C	Ground clearance	480 mm	L	Grab open MT500LB	1 828 mm
D	Reach-Grab @ min level	1 765 mm	M	Grab height MT500LB	1 168 mm
E	Reach, Boom up	738 mm	N	Height @ max reach	2 900 mm
F	Max Reach	2 071 mm	O	Width over tyres	3 200 mm
G	Height – Transport with grab closed	3 335 mm	O1	Inside tyre width	2 000 mm
H	Load over height	4 584 mm	O2	Track width	2 600 mm
I	Front tyre radius	779 mm	P	Below ground reach	418 mm
J	Tailwheel free radius	470 mm			

## ENGINE

JCB Diesel Max 444 T2 NA  
 Power: 63 kW (84 hp) @ 2 200 rpm  
 Peak torque: 320 Nm (236 lb-ft) @ 1 200 rpm  
 4.4 litre, 4-Cylinder, Direct Injection  
 Mechanical engine: Equipped with a dry element filtration system with secondary safety element.  
 Onboard electronic engine protection system.  
 Fuel tank capacity: 150 litres

## DRIVE SYSTEM

Hydrostatic drive system: Variable displacement, Axial piston pump.  
 Two wheel drive  
 Two speed drive motors  
 Maximum speed: 15 km/h (9.4 mph)

## AXLES AND TYRES

Rigid front axle  
 Single rear castoring wheel  
 Steering by differential drive: operator pedal controlled.  
 Tyre Size - Front: 23.1 - 26  
 Tyre Size - Rear: 500/50 - 17

## BRAKES

Hydrostatic dynamic braking system  
 Spring applied, hydraulic release park brake

## CANE GRAPPLE

Bell MC700 (0.7 m<sup>2</sup>)  
 Tilt function with replaceable tines and tine tips

## HYDRAULIC SYSTEM

Variable displacement axial piston pump  
 Load sensing hydraulic system  
 Single control valve with integrated flow sharing  
 Onboard electronic hydraulic system protection system.  
 CANbus operator controls: low effort precision control.  
 Hydraulic tank capacity: 100 litres

## ELECTRICAL SYSTEM

Single battery: 12 volt  
 Alternator: 14 volt 95 amp  
 LED worklights, reverse alarm & hooter

## OPERATOR STATION

Good visibility all around the machine from the operator position.

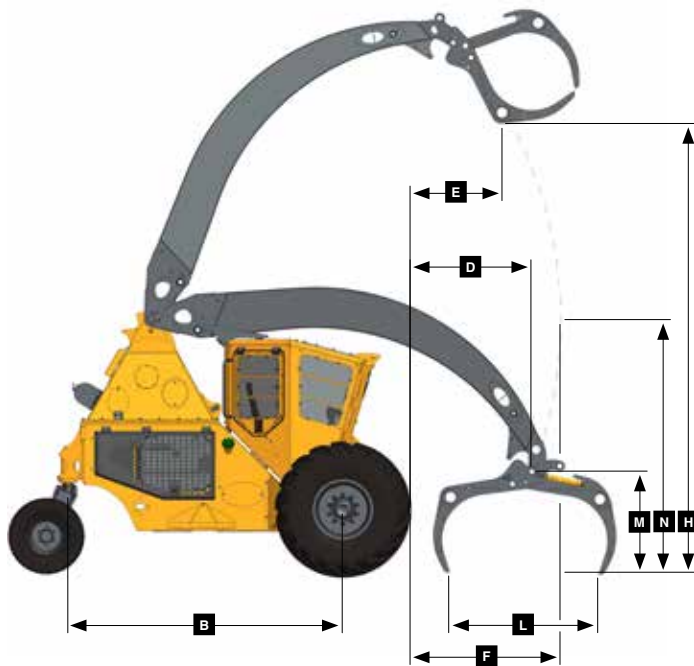
Rubber mounted operator cab  
 Polycarbonate glazed and HVAC air-conditioned operator cab.  
 Ergonomic operator controls: single joystick primary control.  
 Instrumentation: LCD display for all systems parameters monitoring and diagnostics  
 Fully adjustable operator seat with 4-point safety harness.  
 ROPS/FOPS/OPS compliant operator cab

## WEIGHTS AND DIMENSIONS

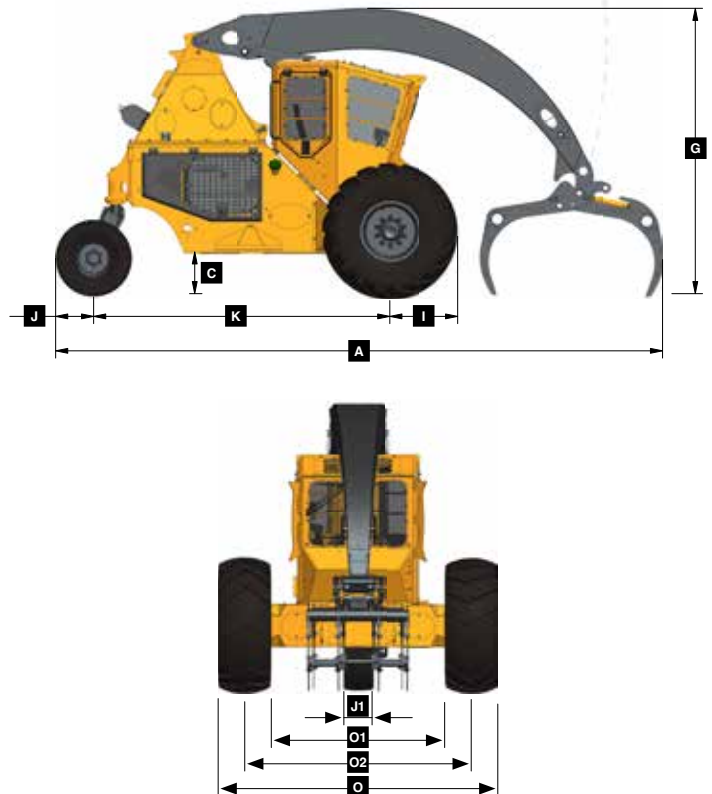
Overall Width: 2 960 mm  
 Max Lift Height (measured under grab): 4 857 mm  
 Safe Lifting Load: 1 750 kg  
 Operating Weight: 8 000 kg

## Dimensions

### OPERATING POSITION



### TRANSPORT POSITION



## MACHINE DIMENSIONS


A	Length – transport position, grab open	6 967 mm	J	Tailwheel free radius	436 mm
B	Front axle to tailwheel centre	3 150 mm	J1	Tailwheel width	324 mm
C	Ground clearance	480 mm	K	Front axle centre to tailwheel centre	3 400 mm
D	Reach-Grab @ Ground level	1 387 mm	L	Grab open MC700	1 710 mm
E	Reach, Boom up	1 055 mm	M	Grab height MC700	1 161 mm
F	Max Reach	1 721 mm	N	Height @ max reach	2 900 mm
G	Height – Transport with grab open	3 275 mm	O	Width over tyres	3 210 mm
H	Load over height	5 151 mm	O1	Inside tyre width	1 990 mm
I	Front tyre radius	779 mm	O2	Track width	2 600 mm




Technical specifications and designs may vary according to options available from time to time. With our policy of continuous improvement we reserve the right to change details without prior notice. Photographs, diagrams & drawings featured in this brochure may include optional equipment.


**BELL INTERNATIONAL: Tel: +27 (0)35-907 9431**


**E-mail: [marketing@bellequipment.com](mailto:marketing@bellequipment.com) Web: [www.bellequipment.com](http://www.bellequipment.com)**


 Tel: +61 (0)8 9355 2442

 Tel: +33 (0)5 55 89 23 56

 Tel: +49 (0)6631 / 91 13 0

 Tel: +44 (0)1283 712862

 Tel: +27 (0)11 928 9700

 Tel: +1 (704) 655 2802

**Strong Reliable Machines  
Strong Reliable Support**

**BELL**