

# Pickaroons

## Technical Data

### DIMENSIONS

Width [mm]	1 022
Height [mm]	1 502

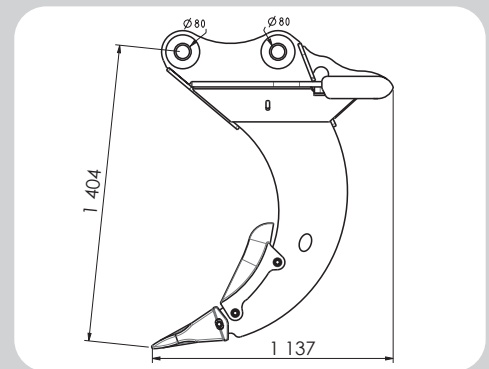
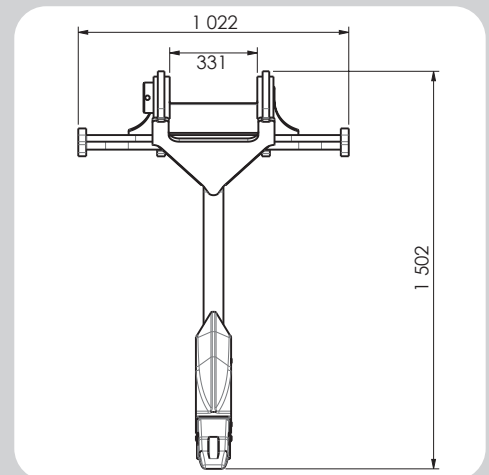
### SHANK

Gross [mm]	80
------------	----

### BASE MACHINE (CARRIER SIZE)

Excavator maximum weight [t]	21
------------------------------	----

## Line Drawings



# Cross-Cut Grapples

## Technical Data

### DIMENSIONS

Length 'A' [mm]	1 095
Width 'B' [mm]	162
Height 'C' [mm]	400
Width 'D' [mm]	120
Saw bar [cm]	90

### WEIGHT

Gross [kg]	102
------------	-----

### HYDRAULIC SYSTEM

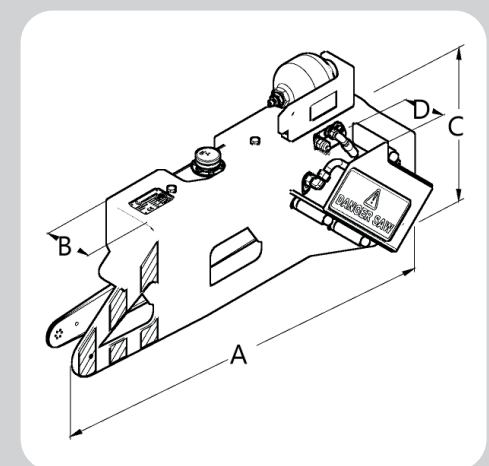
Saw motor displacement [cm <sup>3</sup> ]	10
Minimum hydraulic pressure, saw motor [bar*]	160
Minimum hydraulic flow, saw motor [lpm *]	65
Hydraulic pressure, saw bar feed out [bar]	50 - 55
Hydraulic pressure, chain tensioning [bar]	30
Gas pressure, accumulator [bar]	1
Air pressure, saw bar retraction [bar]	12 - 14

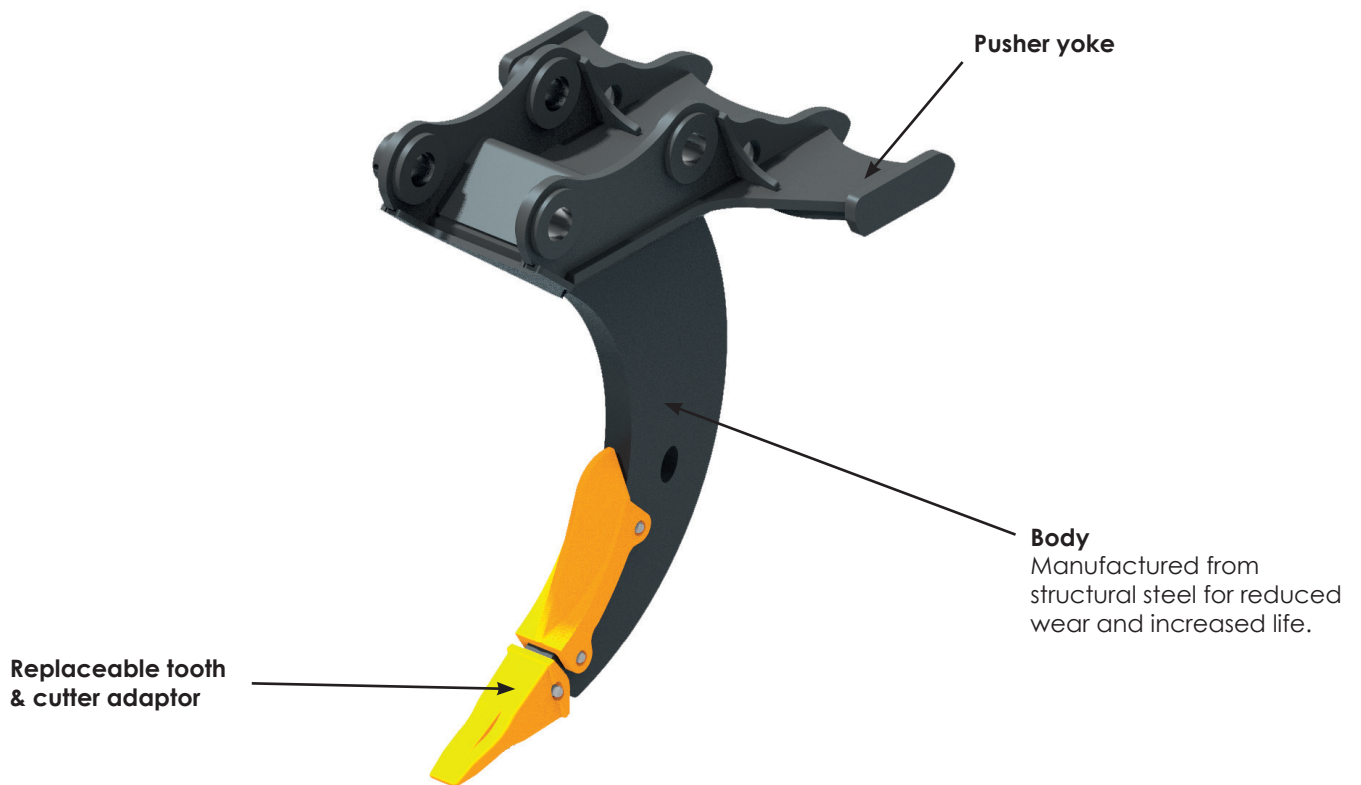
\* Maximum saw chain speed and Maximum power input to the saw chain may NEVER exceed recommendations from each saw chain manufacturer.

### CHAIN LUBRICATION

Type of lubrication	Proportional
Lube oil tank capacity [L]	3,0

## Line Drawings



**| Features****| Features**