

Shear Head

Technical Data

DIMENSIONS

Width, head open [mm]	993
Length [mm]	1 258
Height [mm]	993



WEIGHT

Gross [kg]	650
------------	-----



FELLING/CUTTING

Maximum cut diameter [mm]	400
Blade thickness [mm]	16
Maximum opening [mm]	650



HYDRAULIC SYSTEM

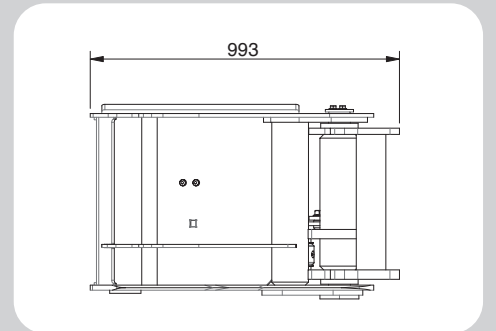
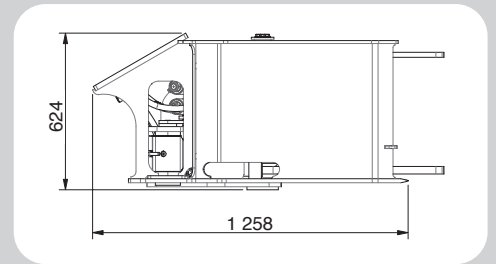
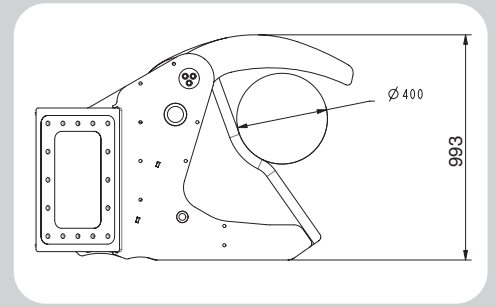
Maximum operating pressure [bar]	250
Recommended pump capacity [l/min]	80-140



BASE MACHINE (CARRIER SIZE)

Excavator minimum weight [t]	8
Excavator maximum weight [t]	20

Line Drawings

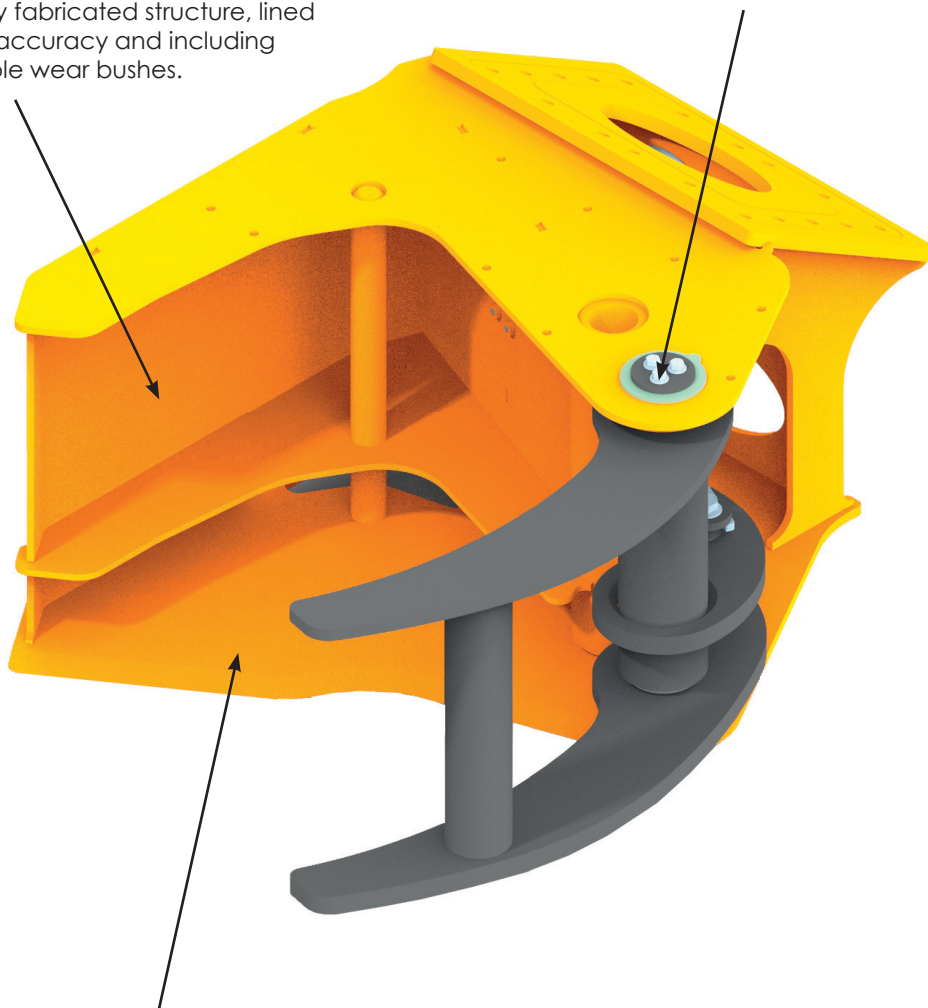


| Features**Body**

Accurately fabricated structure, lined bored for accuracy and including replaceable wear bushes.

Pins

Chrome plated pins promote maximum life and limited wear to the bushes. In addition, non-swivel pins ensure minimal wear to the serviceable bushes.

**Blade**

Hardened high tensile steel blade, geometrically positioned to ensure stump cut height close to ground level.