

LogPro



BELL

ENGINE

JCB Diesel Max 444 T2 NA
 Power: 63 kW (84 hp) @ 2 200 rpm
 Peak torque : 320 Nm (236 lb-ft) @ 1 200 rpm
 4.4 litre, 4-Cylinder, Direct Injection
 Mechanical engine: Equipped with a dry element filtration system with secondary safety element.
 Onboard electronic engine protection system.
 Fuel tank capacity: 150 litres

DRIVE SYSTEM

Hydrostatic drive system: Variable displacement, Axial piston pump.
 Two wheel drive
 Two speed drive motors
 Maximum speed: 15 km/h (9.4 mph)

AXLES AND TYRES

Rigid front axle
 Single rear steering wheel
 Steering by differential drive: operator pedal controlled.
 Tyre Size - Front: 23.1 - 26
 Tyre Size - Rear: 500/50 - 17

BRAKES

Hydrostatic dynamic braking system
 Spring applied, hydraulic release park brake

GRAPPLE AND ROTATOR

Free hanging timber grapple: Matriarch MT500LB (0.5 m²)
 Rotator: Indexator Heavy-Duty GV12SA

HYDRAULIC SYSTEM

Variable displacement axial piston pump
 Load sensing hydraulic system
 Single control valve with integrated flow sharing
 Onboard electronic hydraulic system protection system.
 CANbus operator controls: low effort precision control.
 Hydraulic tank capacity: 100 litres

ELECTRICAL SYSTEM

Single battery: 12 volt
 Alternator: 14 volt 95 amp
 LED worklights, reverse alarm & hooter

OPERATOR STATION

Good visibility all around the machine from the operator position.
 Rubber mounted operator cab
 Polycarbonate glazed and HVAC air-conditioned operator cab.
 Ergonomic operator controls: single joystick primary control.

Instrumentation: LCD display for all systems parameters monitoring and diagnostics
 Fully adjustable operator seat with 4-point safety harness.
 ROPS/FOPS/OPS compliant operator cab

WEIGHTS AND DIMENSIONS

Overall Width: 3 210 mm (2 960 mm turned in)
 Max Lift Height (measured under grab): 4 577 mm
 Safe Lifting Load: 1 750 kg
 Operating Weight: 7 500 kg

TRANSPORT DIMENSIONS

Width: 2 960 mm
 Length: 6 800 mm
 Height: 3 303 mm

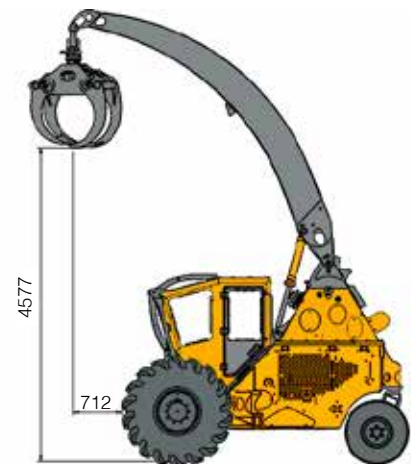
FRONT VIEW



SIDE VIEW - LOWERED



SIDE VIEW - RAISED



Technical specifications and designs may vary according to options available from time to time. With our policy of continuous improvement we reserve the right to change details without prior notice. Photographs, diagrams & drawings featured in this brochure may include optional equipment.

BELL INTERNATIONAL: Tel: +27 (0)35-907 9431

E-mail: marketing@bellequipment.com

Web: www.bellequipment.com



Tel: +61 (0)8 9355 2442



Tel: +49 (0)6631 / 91 13 0



Tel: +27 (0)11 928 9700



Tel: +33 (0)5 55 89 23 56



Tel: +44 (0)1283 712862



Tel: +1 (704) 655 2802

**Strong Reliable Machines
 Strong Reliable Support**

