

Felling Head

MT50FH



BELL

Felling Head MT50FH

BELL

STRUCTURE

Durable, high strength steel structure
Wear resistant grab tines made from high alloy steel. Heavy duty 50 mm chrome pins & ceramic coated steel bushes for longer life. Line-bored to ensure reliable interchangeability of components.

GRAPPLE

Tip - Tip Area: 0.25 sqm
Max Jaw Open: 890 mm
Min Jaw Closed: 50 mm
Max Cut diameter: 530 mm

SAW

HULTDINS SUPERCUT
Saw Chain: 0.404 Pitch
Saw Bar: 750 mm

DIMENSIONS

Height: 1 500 mm
Width: 1 385 mm
Depth: 1 200 mm

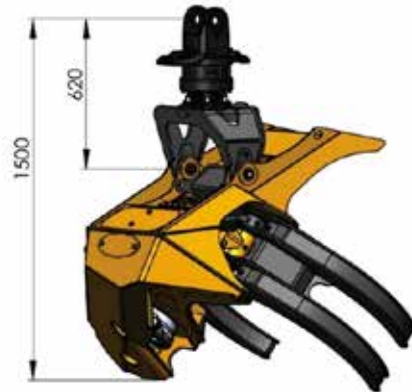
ROTATOR

Indexator GV124S - Grapple
Saw Rotator
Rotation: 360 degrees
Weight: 59 kg

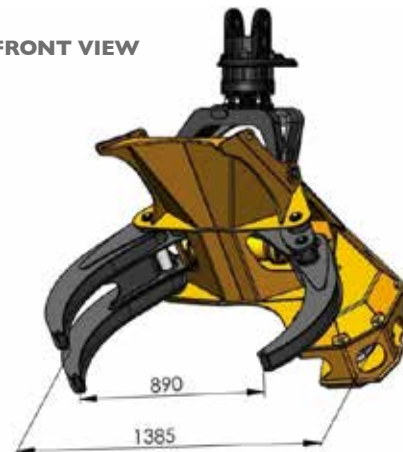
WEIGHT

Gross: 535 kg

REAR VIEW



FRONT VIEW









Technical specifications and designs may vary according to options available from time to time. With our policy of continuous improvement we reserve the right to change details without prior notice. Photographs, diagrams & drawings featured in this brochure may include optional equipment.

BELL INTERNATIONAL: Tel: +27 (0)135-907 9431

E-mail: marketing@bellequipment.com

Web: www.bellequipment.com

 Tel: +61 (0)8 9355 2442
 Tel: +49 (0)6631 / 91 13 0
 Tel: +27 (0)11 928 9700

 Tel: +33 (0)5 55 89 23 56
 Tel: +44 (0)1283 712862
 Tel: +1 (704) 655 2802

**Strong Reliable Machines
Strong Reliable Support**

BELL