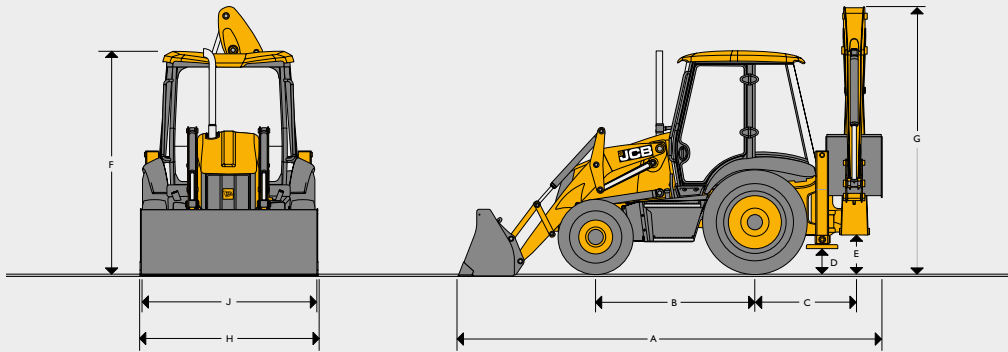


STATIC DIMENSIONS

Loader end max. payload: 1850kg (4078lb) Max. lift height: 3.23metres (10.59ft)



		3DX / 3DX Plus	
A	Total travel length	m	5.96
B	Wheelbase	m	2.24
C	Slew centre to rear axle centre	m	1.32
D	Minimum ground clearance (stabiliser foot clearance)	m	0.36
E	Slew ground clearance	m	0.53
F	Cab roof height	m	2.87
G	Total travel clearance	m	3.61
H	Shovel width	m	2.23 (6-in-1 shovel) / 2.35 (GP shovel)
J	Rear frame width	m	2.24

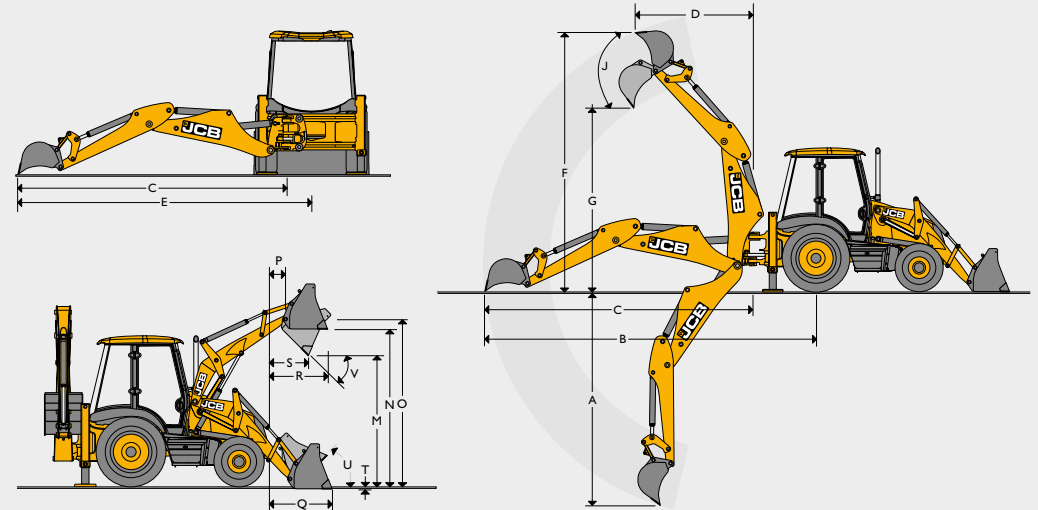
ENGINE

	3DX	3DX Plus
Model	JCB 448, 4 cylinder, water cooled, diesel	JCB 444, turbocharged, 4 cylinder, water cooled, diesel
No. of cylinders	4	4
Displacement	4.8 litres	4.4 litres
Gross power	56kW (76 hp) @ 2200rpm	68.6 kW (92hp) @ 2200rpm
Max torque	301Nm (31.6 kgm) @ 1200rpm	408Nm (41.6 kgm) @ 1200rpm

SERVICE CAPACITIES

Cooling system	ltr	16.5
Fuel tank	ltr	128
Engine oil with filter	ltr	14
Gearbox with filter	ltr	16
Rear axle	ltr	21
Front axle	ltr	11
Hydraulic system incl. tank	ltr	130

EXCAVATOR/LOADER PERFORMANCE



Excavator performance		3DX / 3DX Plus	
A	Max dig depth	m	4.77
B	Reach-ground level to rear wheel centre	m	6.72
C	Reach-ground level to slew centre	m	5.40
D	Reach at full height to slew centre	m	2.74
E	Side reach to centre line of machine	m	6.02
F	Max. working height	m	5.97
G	Max. load over height	m	4.18
H	King post travel	m	1.06
J	Bucket rotation – power	degrees	185°
	Bucket tearout force	kgf	5700
	Dipper tearout force	kgf	3010
	Lift capacity to bucket pivot	kg	1490
Loader performance			
M	Dump height	m	2.72
N	Load over height	m	3.23
O	Pin height	m	3.45
P	Pin forward reach	m	0.36
Q	Reach at ground	m	1.40
R	Max. reach at full height	m	1.15
S	Reach at full height – bucket dumped	m	0.78
T	Below ground level dig depth	m	0.10
U	Rollback at ground	degrees	45°
V	Dump angle	degrees	43°
	Shovel breakout force	kgf	6500
	Loader arm breakout force	kgf	4850
	Shovel capacity		1.0m ³ (6-in-1 shovel) / 1.1m ³ (GP shovel)

TRANSMISSION

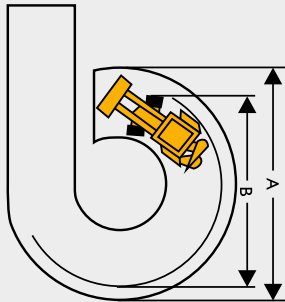
JCB Synchro-shuttle transmission: It provides superb drive power in all conditions. It consists of a 4-speed, full synchromesh gearbox with integral torque convertor and electrically operated reversing power shuttle.

- Easy-to-use, column mounted electric reversing shuttle which can change machine direction while allowing operator to keep hands on the steering wheel leading to fast cycle times.
- The pedal layout and conventional 4-pattern gear lever with transmission disconnect switch adds to the overall ease of operation. On-the-move gear changes are possible.
- Torque convertor stall ratio is 2.52:1 (4WD)

	3DX (4WD)
Manufacturer	JCB
Type	Synchroshuttle
Gears forward/reverse	4 forward/2 reverse
Shuttle control – F/R	Power shuttle
Travel speeds*	kph
Gear 1	7.3
Gear 2	11.7
Gear 3	22.0
Gear 4	40.0

*Speeds may vary dependant on tyre selection.

TURNING CIRCLE



Inner wheels braked

A	Outside loader bucket	9.79m
B	Outside wheels	7.21m
Inner wheels not braked		
A	Outside loader bucket	10.91m
B	Outside wheels	8.32m

* Standard bucket in travel position

STEERING

Front wheel full power hydrostatic system utilising the main hydraulic pump via a steering priority valve. In the event of engine failure, emergency steering is maintained (all models).

BRAKES

Service: Hydraulically actuated dual line, self adjusting, oil immersed, multi-disc type on the rear axle, well protected from dirt, water etc. requiring no maintenance.

Parking: Hand operated, disc brake on rear axle input disc.

Brake pedal: Two independently operable foot pedals enable machine to manoeuvre in tight spaces. Pedals are linked together for normal use.

2WD / 4WD: Electrical selection between 2WD / 4WD allows on-the-move changes.

HYDRAULIC SYSTEM

• JCB vari-matic hydraulics • Main relief valve: 228bar • Unloader valve: 207bar • Pump type: 2 section displacement gear • Pump capacity: 3DX: 108 lpm, 3DX Super: 123 lpm • Filtration through suction strainer and return line JCB Filtermatic filter • During excavation the circuit automatically varies hydraulic power to match digging conditions for extra performance, control and power • Careful routing of hydraulic hoses and pipework guards against site damage and allows easy servicing

CAB

• Floormats • Fully adjustable seat and soft touch steering wheel • 'Walk through' two door access • Seat belt, large convex rear view mirror, interior light front screen wiper, horn, hazard warning system, tool box • Instrumentation panel includes engine speed, engine hours, fuel level, water temperature gauge and 12v connection • Audible and visual fault warning system for alternator charge, coolant temperature, engine oil pressure, blocked air filter, transmission oil pressure and temperature, and hand brake on.

AXLES

Rear: Drive axle rigidly mounted, incorporates JCB Max-Trac torque proportioning differential, driven by short propshaft from gear box.

Front: 4WD, Steer axle, centrally pivoted with oscillation angle of 16°.

ELECTRICAL AND INSTRUMENTATION

12 volt negative ground, utilising wiring and connectors meeting IP69 water ingress test standard. Central fuse panel.

Battery: 130 A/hr **Alternator:** 90 amp standard. **Front working lights:** 2 fixed.

Rear working lights: 2 fixed and 2 adjustable.

TYRES

Front: 12.5x18-12PR (4WD)

Rear: 16.9x28-12PR (4WD)

WEIGHT

Shipping: 3DX/3DX Plus: 7660kg

Operating: 3DX/3DX Plus: 7800kg