

# 11 Cube

Dumper Trailer



- Gross Trailer Weight: 24 300 kg/trailer
- Payload: 18 000 kg
- Trailer Tare: 6 300 kg

**BELL**

## Technical Data

### WEIGHTS

Payload (approx)  
18 000 kg

Gross Combination  
24 300 kg

### BRAKES

S cam brakes on all 4 wheels. Air operated fail safe dual line brakes on 2 wheels

### AXLES

Bell 16 ton Walking Beam

### ELECTRICAL SYSTEM

24 V

### ROAD LEGAL OPTION

Rated Payload 14 200 kg

### TYRES

445/65R22,5

### BODY CAPACITY

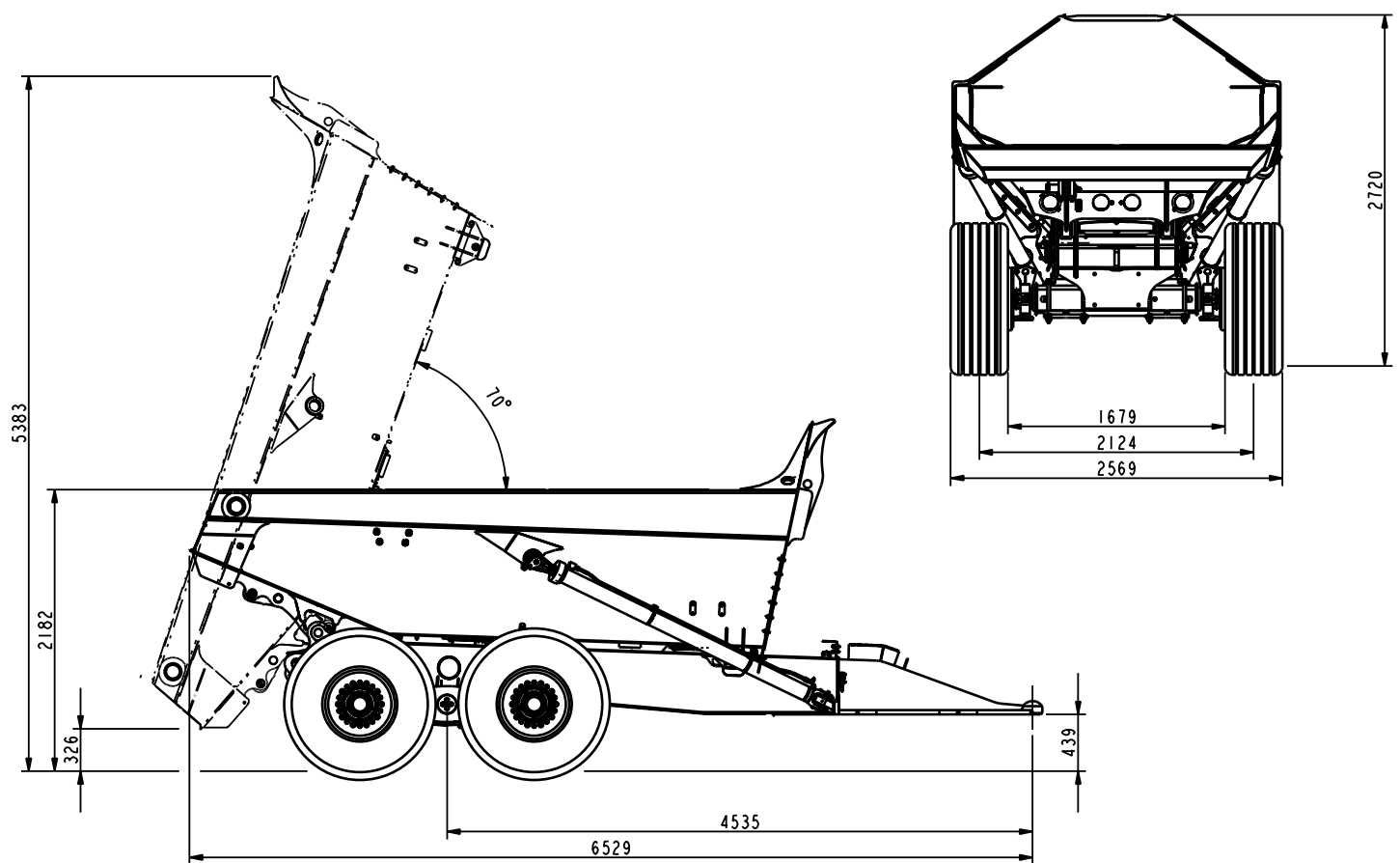
Struck: 8.5 m<sup>3</sup>

Heaped: SAE 2:1: 11 m<sup>3</sup>

### GENERAL DIMENSIONS

Length	6 529 mm
Height	2 720 mm
Width	2 569 mm
Load over height	2 256 mm

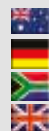
## Dimensions



All dimensions are shown in millimetres, unless otherwise stated between brackets. Under our policy of continuous improvement, we reserve the right to change technical data and design without prior notice. Photographs featured in this brochure may include optional equipment.

**BELL INTERNATIONAL: Tel: +27 (0)35 907 9431**

**E-mail: [marketing@bellequipment.com](mailto:marketing@bellequipment.com) Web: [www.bellequipment.com](http://www.bellequipment.com)**

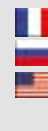


Tel: +61 (0)8 9355 2442

Tel: +49 (0)663 191 130

Tel: +27 (0)11 928 9700

Tel: +44 (0)1283 712 862



Tel: +33 (0)5 55 892 356

Tel: +7 495 287 80 02

Tel: (704) 655 2802

**Strong Reliable Machines  
Strong Reliable Support**

