

FINLAY

J-1160

J-1170

J-1175

J-1480

JAW CRUSHERS



BELL

FINLAY J-1160

The Finlay J-1160 is a compact and aggressive tracked mobile primary jaw crusher. Incorporating the Terex Jaques JW40 jaw crusher a heavy duty VGF feeder and an integrated prescreen system the Finlay J-1160 gives optimum production in quarrying, mining, demolition and recycling applications.

Its compact size, quick set up times, ease of transport and user friendly operational features make the Finlay J-1160 ideal for all sized operators.

STANDARD FEATURES

Engine:

Tier 3 / Stage 3A: Caterpillar C9 Acert 224kW (300hp) water cooled engine

Tier 4i / Stage 3B: Scania DC9 80A 202kW (275hp)

Jaw Chamber:

Terex 1000mm x 660mm (40" x 26") single toggle jaw crusher

Hydrostatic drive and advanced electronic control system

Fully hydraulically adjustable closed side setting

Reversible operation for clearing blockages

S tooth liners - 18% Manganese as Standard

Hopper/Feeder:

Hopper Capacity: 5m³ (6.5yd³)

Heavy duty vibrating feeder

Grizzly feeder with integral pre-screen, standard 50mm spacing

Selectable discharge to by-pass conveyor or main conveyor

Mesh aperture on grizzly feeder: 30mm

Main Conveyor:

900mm wide main belt fitted with impact bars at feed point

High spec scraper at head drum

Piped for dust suppression complete with spraybars

General:

Piped for overband magnet

Galvanised catwalk c/w handrail, kick board and access ladders

Heavy duty undercarriage unit with 400mm wide pads

Handheld track control set with connection lead

Single speed tracks with 'soft start'

Safety guards in compliance with machinery directive

Emergency stops

Powerunit

- ▶ Tier 3 / Stage 3A: Caterpillar C9 Acert 224kW (300hp)
- ▶ Tier 4i / Stage 3B: Scania DC9 80A 202kW (275hp)
- ▶ Hydrostatic transmission
- ▶ Electronic control system
- ▶ Catwalk access

Main Conveyor

- ▶ Belt: 900mm (36")
- ▶ Discharge height: 3300m (10' 10")



Magnet

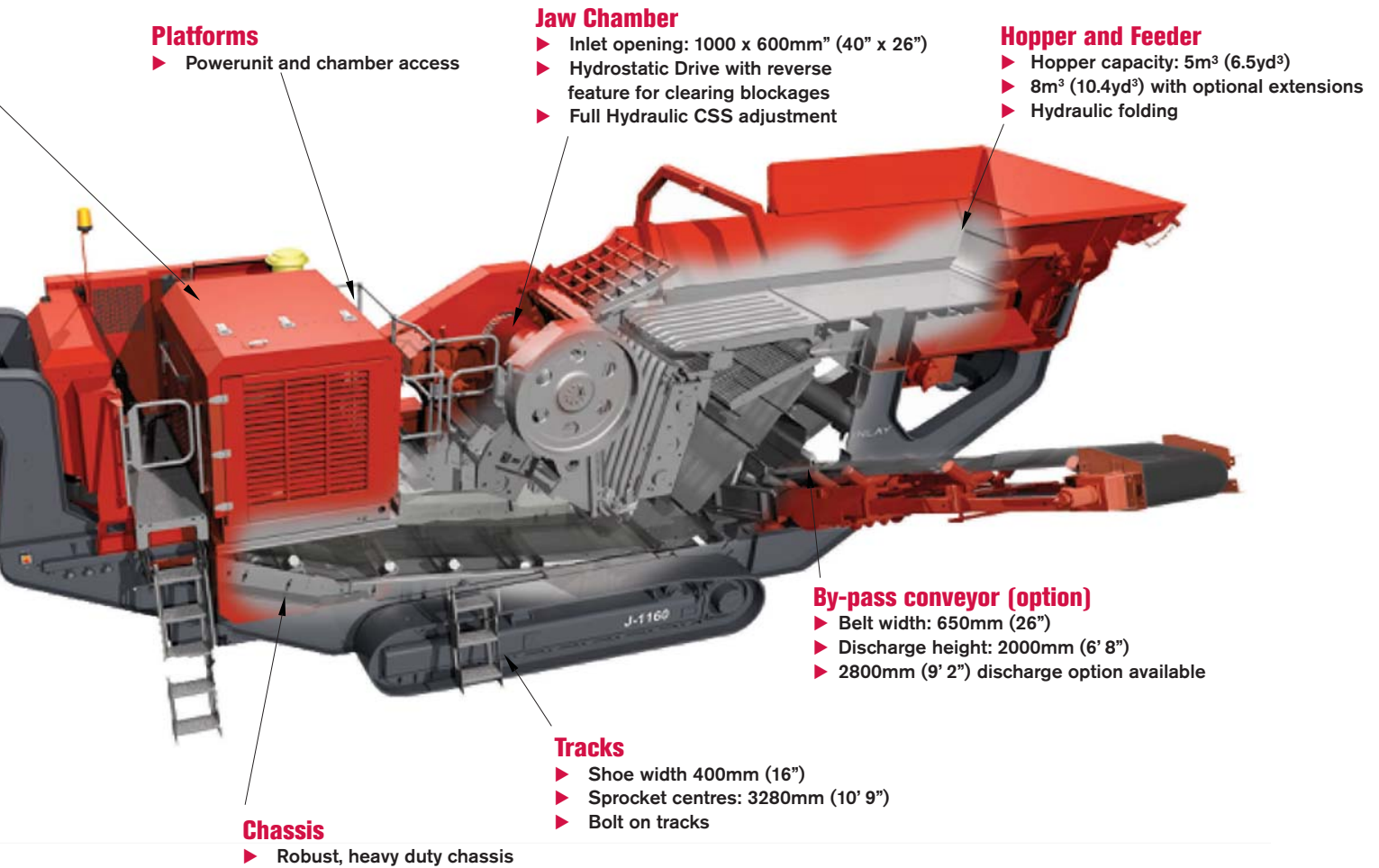
- ▶ Optional

Features:

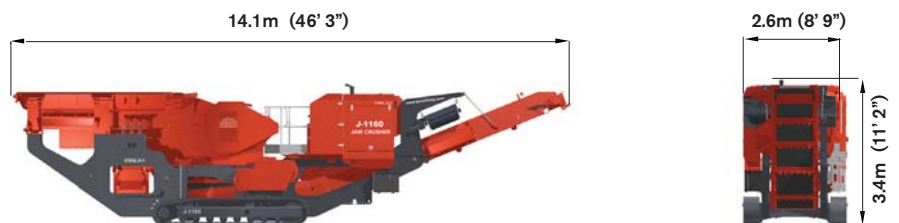
- ▶ The robust high performance hydrostatic driven single toggle jaw chamber provides high capacity with large reduction ratio's.
- ▶ Automatic variable speed VGF ensures continuous choke feeding of the crushing chamber for optimal productivity.
- ▶ High powered hydrostatic drive ensures precise chamber controls and reverse functionality for clearing blockages and assisting in demolition and recycling applications.
- ▶ Fully hydraulic adjustable closed side setting minimises downtime and offers quick adjustment.



FINLAY



Transport Dimensions



Working Dimensions



Machine Weight: 33,500kg (73,854lbs)

(without by-pass conveyor and magnet options)

36,000kg (79,365lbs)

(with by-pass conveyor and magnet options)

BELL

FINLAY J-1170

The Finlay J-1170 is a compact and aggressive tracked primary jaw crusher. The heartbeat of the machine is a robust hydrostatically driven Terex jaw chamber which provides high capacity with large reduction ratios. The jaw chamber configuration can be set up specifically for quarrying applications or processing construction demolition debris using the hydraulic release chamber option.

The J-1170 features a heavy duty variable speed VGF and integrated prescreen giving excellent production throughput in quarrying, mining, demolition and recycling applications. Notable options include a variable speed pan feeder along with an independent prescreen system. The J-1170's 45.3 tonne / 99600lbs transport weight and compact dimensions mean lower transport costs between and within crushing sites.

STANDARD FEATURES

Engine:

Tier 3/Stage 3A: Caterpillar C9 261kW (350hp)

Tier 4i/Stage 3B: Scania DC9 83A 257kW (350hp)- Hydraulic Adjust

Jaw Chamber:

Terex 1100mm x 700mm (44" x 28") single toggle jaw crusher

75mm pre-set closed side setting for quarry applications

Hydrostatic drive and advanced electronic control system

Reversible operation for clearing blockages

S tooth liners - 18% Manganese as Standard

Hopper / Feeder:

Hopper capacity: 9.6m³ (11.7yd³)

Hydraulically folding hopper sides

Heavy duty vibrating feeder

Integrated pan feeder - cassette is 75mm spacing as standard

Selectable discharge to by-pass conveyor or main conveyor

Mesh aperture on grizzly feeder: 38mm

Main Conveyor:

1000mm (40") wide main belt fitted with impact bars at feed point - Fixed head, discharge height 3100mm

Hydraulic raise/lower of main conveyor

High spec scraper at head drum

Piped for dust suppression complete with spraybars

Separate central operators panel

General:

Piped for overband magnet

Galvanised catwalk c/w handrail, kick board and access ladders

Heavy duty undercarriage unit with 500mm (20") wide pads

Handheld track control set with connection lead

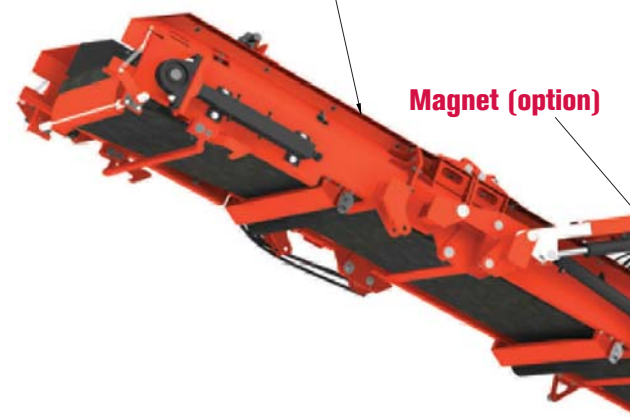
Two speed tracks with 'soft start'

Safety guards in compliance with machinery directive

Emergency stops

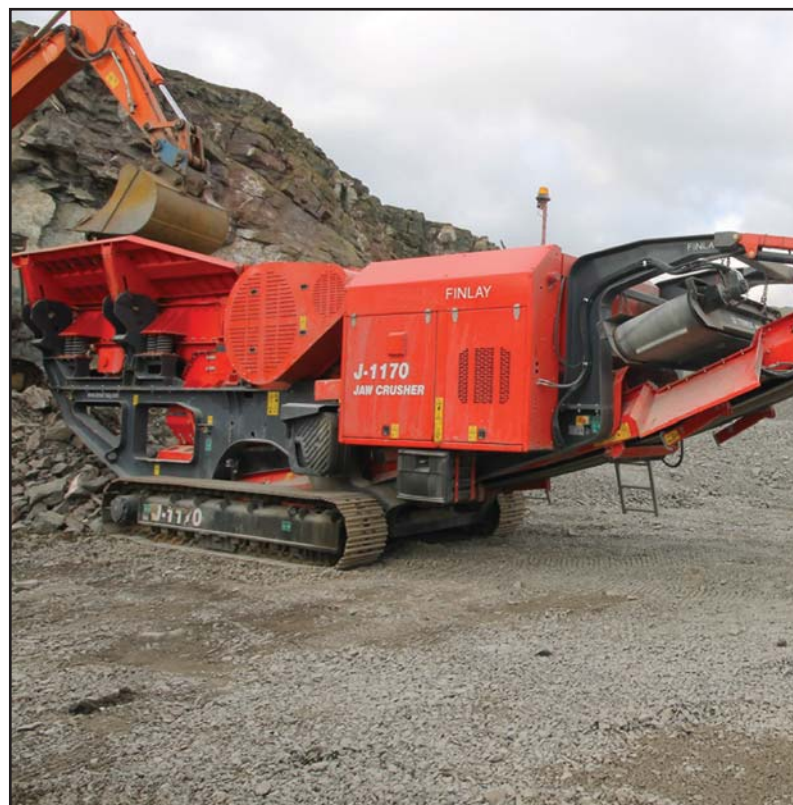
Main conveyor

- ▶ Belt: 1000mm (40")
- ▶ Discharge height: 3100mm (10' 2")
- ▶ Optional extension extends discharge height to 3915mm (12' 10") incorporates folding head section for transport

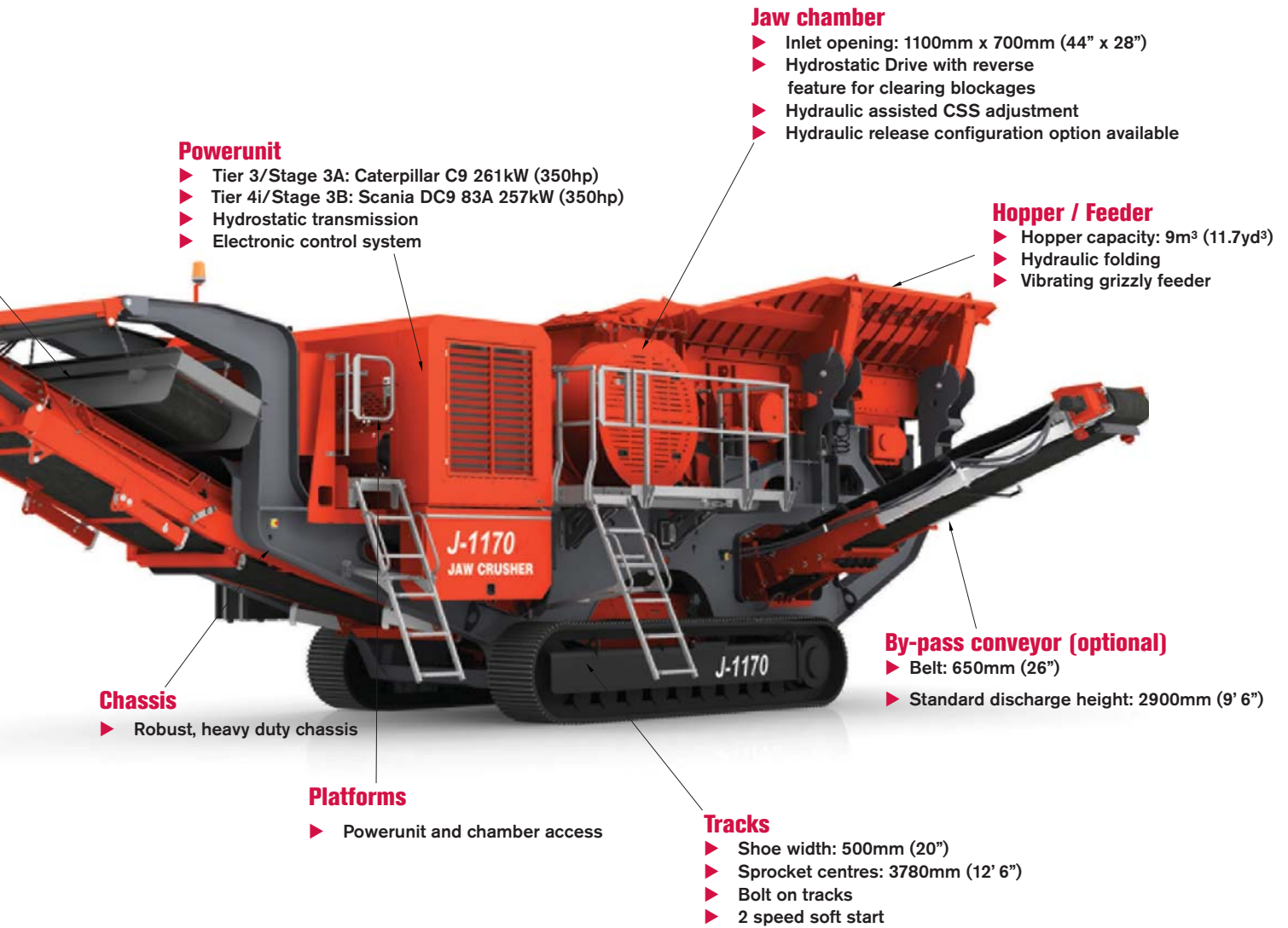


Features:

- ▶ The robust high performance hydrostatically driven single toggle jaw chamber provides high capacity with large reduction ratios.
- ▶ Automatic variable speed VGF ensures continuous choke feeding of the crushing chamber for optimal productivity.
- ▶ High powered hydrostatic drive ensures precise chamber control and reverse functionality for clearing blockages and assisting in demolition and recycling applications.
- ▶ Hydraulically assisted closed side setting adjustment minimises downtime and offers quick adjustment.
- ▶ Its compact size, quick set up times, ease of transport and user friendly operational features make the J-1170 ideal for all sized operators.



FINLAY



Transport Dimensions



Working Dimensions



Note: Illustrated with optional extended main conveyor, magnet and by-pass conveyor

Machine weight: 45,100kg (99,428lbs)
 (with HA chamber, standard VGF, standard main conveyor, magnet and by-pass conveyor)

BELL

FINLAY J-1175

The Finlay J-1175 is a high performance tracked mobile jaw crusher. Incorporating the Terex Jaques JW42 jaw crusher and a heavy duty VGF feeder the Finlay J-1175 gives optimum production in a range of applications.

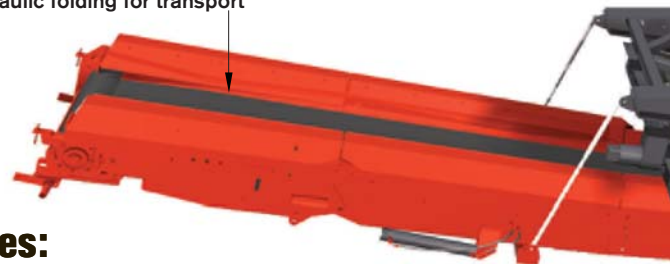
Its compact size, quick set up times, ease of transport and simple maintenance make the Finlay J-1175 ideal for quarrying, mining, demolition and recycling applications.

Powerunit

- ▶ Tier 3 / Stage 3A: Caterpillar C9 Acert 261kW (350hp)
- ▶ Tier 4i / Stage 3B: Scania DC9 83A 257kW (350hp)
- ▶ Hydrostatic transmission
- ▶ Electronic control system
- ▶ Catwalk access

Main Conveyor

- ▶ Belt width: 1000mm (40")
- ▶ Discharge height: 3.6m (12' 0")
- ▶ Discharge option: 4m (13' 2") illustrated
- ▶ Hydraulic folding for transport



STANDARD FEATURES

Engine:

Tier 3 / Stage 3A: Caterpillar C9 Acert 261kW (350hp) water cooled diesel engine

Tier 4i / Stage 3B: Scania DC9 83A 257kW (350hp) water cooled diesel engine

Jaw Chamber:

Terex 1070mm x 762mm (42" x 30") single toggle jaw crusher

Hydrostatic drive and advanced electronic control system

Fully hydraulically adjustable closed side setting

Reversible operation for clearing blockages

S tooth liners Standard - 18% Manganese as standard

Hopper/Feeder:

Hopper capacity: 9m³ (11.7 yd³)

Hydraulically folding hopper sides

Heavy duty vibrating feeder

Integrated pan and feeder - cassette is 75mm spacing as standard

Selectable discharge to by-pass conveyor or main conveyor

Mesh aperture on grizzly feeder: 38mm (1.5")

Main Conveyor:

1000mm wide main belt fitted with impact bars at feed point

High spec scraper at head drum

Piped for dust suppression complete with spraybars

General:

Piped for overband magnet

Separate central operators panel

Standard toggle setting 590mm

Galvanised catwalk c/w handrail, kick board and access ladders

Heavy duty undercarriage unit with 500mm wide pads

Hand held track control set with connection lead

Two speed tracks with 'soft start'

Safety guards in compliance with machinery directive

Emergency stops

Features:

- ▶ The robust high performance hydrostatically driven single toggle jaw chamber provides high capacity with large reduction ratio's.
- ▶ Automatic variable speed VGF ensures continuous choke feeding of the crushing chamber for optimal productivity.
- ▶ High powered hydrostatic drive ensures precise chamber controls and reverse functionality for clearing blockages and assisting in demolition and recycling applications.
- ▶ Fully hydraulic closed side setting minimises downtime and offers quick adjustment.



FINLAY

Jaw Chamber

- ▶ Inlet opening: 1070mm x 762mm (42" x 30")
- ▶ Hydrostatic Drive with reverse feature for clearing blockages
- ▶ Full hydraulic CSS and drawback bar

Hopper and Feeder

- ▶ Hopper capacity: 9m³ (11.7yd³)
- ▶ Heavy duty vibrating feeder with integrated pre-screen
- ▶ Hydraulically folding

Platforms

- ▶ Powerunit and chamber access

Chassis

- ▶ Robust, heavy duty chassis

By-pass conveyor (optional)

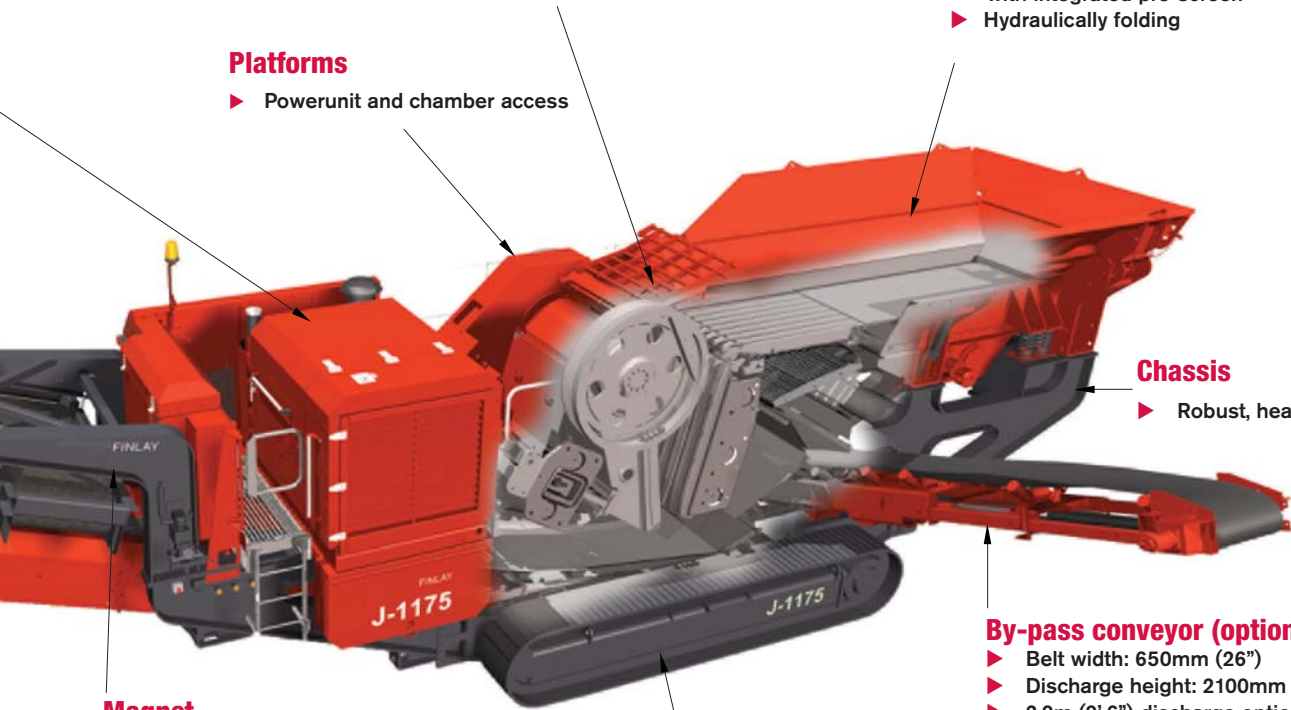
- ▶ Belt width: 650mm (26")
- ▶ Discharge height: 2100mm (6' 10")
- ▶ 2.9m (9' 6") discharge option available

Magnet

- ▶ Optional

Tracks

- ▶ Shoe width: 500mm (20")
- ▶ Sprocket centres: 3780mm (12' 5")



Transport Dimensions



Working Dimensions



Machine Weight: 51,300kg (113,096lbs)
(without by-pass conveyor and magnet options)

53,500kg (117,946lbs)

(with by-pass conveyor and magnet options)

BELL

FINLAY J-1480

The Finlay J-1480 incorporates the Terex Jaques JW55 single toggle jaw crusher which boasts a throughput capacity up to 750mtph depending on application and material. The machine is available with the optional direct drive which offers improved fuel efficiency and greater power utilisation or the standard hydrostatic drive which offers reversible operation for clearing blockages and for use in demolition applications. The large 10m³ hopper has hydraulically folding sides and hydraulic wedge clamp system providing faster machine set up time. The machine features a vibrating pan feeder and an aggressive independently driven pre-screen which provides optimum separation of dirt, fines and difficult materials.

STANDARD FEATURES

Engine:

Caterpillar C13 328kW (440hp) water cooled diesel engine (Engines are available to meet both US EPA emission standards, under CFR 1039.625 and EU flexibility provisions of Directive 97/68/EC)

Jaw Chamber:

Terex 1415mm x 820mm (55" x 32") single toggle jaw crusher

Hydrostatic drive and advanced electronic control system

Fully hydraulically adjustable closed side setting

Reversible operation for clearing blockages

S tooth liners - 18% Manganese as Standard

Hopper/Feeder:

Hopper capacity: 10m³ (13yd³)

Heavy duty vibrating Pan & independent Pre-screen (75mm Standard spacing)

Selectable discharge to by-pass conveyor or main conveyor

Mesh aperture on grizzly feeder: 38mm

Main Conveyor:

Width: 1400mm wide main belt fitted with impact bars at feed point

High spec scraper at head drum

Piped for dust suppression complete with spray bars

General

Stockpile Sensor (main conveyor)

Piped for overband magnet

Separate central operator's panel

Galvanised catwalk c/w handrail, kick board and access ladders

Heavy duty undercarriage unit with 500mm wide pads

Handheld track control set with connection lead

Two speed tracks with 'soft start'

Safety Guards in compliance with machinery directive

Emergency stops

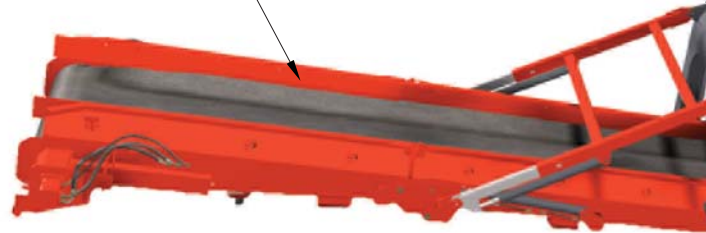
Electric refueling pump

Main Conveyor

- ▶ Belt width: 1400mm (55")
- ▶ Discharge height: 4500mm (14' 9")
- ▶ High spec scraper at head drum
- ▶ Hydraulic folding for transport
- ▶ Dust suppression system fitted as standard

Magnetic Separator (optional)

- ▶ Suspended self-cleaning crossbelt overband magnet



Features:

- ▶ Terex Jaques Jaw with fully hydraulic adjustable closed side setting.
- ▶ Hydrostatic & Direct drive systems with advanced electronic control system.
- ▶ 10m³ (13yd³) hopper capacity. Optional hopper side extensions are available.
- ▶ Independent VGF feeder and Pre-Screen.
- ▶ Selectable discharge to by-pass conveyor or main conveyor.



FINLAY

Jaw Chamber

- ▶ Terex® JW55 single toggle Jaw Chamber
- ▶ Inlet opening: 1415mm x 820mm (55" x 32")
- ▶ Hydrostatic drive
- ▶ Full hydraulic CSS adjust

Hopper and Feeder

- ▶ Hopper capacity: 10m³ (13yd³)
- ▶ Optional hopper extensions: 12m³ (15.6yd³)
- ▶ Hydraulic folding sides with hydraulic locking wedges
- ▶ Independent prescreen
- ▶ Selectable discharge to By-Pass or Main Conveyor

Platforms

- ▶ Powerunit and chamber access

By-pass conveyor (option)

- ▶ Plain belt: 750mm (30")
- ▶ Discharge height: 3600mm (11' 10")
- ▶ Universal mounting to left or right side
- ▶ Folds hydraulically for transport

Chassis

- ▶ Robust, heavy duty chassis

Independent Pre-Screen

- ▶ Optional for increased fines removal

Powerunit/ Control system

- ▶ C13 328kW/440hp @ 1800rpm
- ▶ Advanced CANBUS electronic control system
- ▶ Hydrostatic Drive and Direct Drive
- ▶ Catwalk access

Undercarriage

- ▶ Shoe width: 500mm (20")
- ▶ Sprocket centres: 4200mm (13' 9")
- ▶ Dual speed tracking with soft start



Transport Dimensions



Working Dimensions



Machine Weight: 73,000kg (160,934lbs)

(without by-pass conveyor and magnet options)

76,000kg (167,548lbs)

(with by-pass conveyor and magnet options)

BELL



FINLAY

J-1170
JAW CRUSHER

J-1170



GENUINE FINLAY Spare Parts...



Bell Equipment aims to keep you moving 24 hours a day, 7 days a week, 365 days a year.

Whether you need jaw liners, meshes or replacement components, only genuine Finlay parts guarantee the safety, proper functioning and reliability of your equipment. Finlay supplies quality original parts to protect your investment and our knowledgeable product specialists help ensure you receive exactly what you need to get your equipment back on the job quickly & cost effectively.



FINLAY

BELL

Follow us on:

