

B60E 4x4 Articulated Dump Truck

ENGINE

Manufacturer
Mercedes Benz (MTU)

Model
OM473LA (MTU 6R 1500)

Configuration
Inline 6, turbocharged and intercooled

Gross Power
430 kW (577 hp) @ 1 700 rpm

Net Power
405 kW (543 hp) @ 1 700 rpm

Gross Torque
2 750 Nm (2 028 lbf) @ 1 300 rpm

Displacement
15,6 litres (952 cu.in)

Auxiliary Brake
Jacobs Engine Brake®

Fuel Tank Capacity
494 litres (130 US gal)

AdBlue® Tank Capacity
40 litres (11 US gal)

Certification
OM473LA (MTU 6R 1500) meets EU Stage V emissions regulations.

TRANSMISSION

Manufacturer
Allison

Model
4800 ORS

Configuration
Fully automatic planetary transmission

Layout
Engine mounted

Gear Layout
Constant meshing planetary gears, clutch operated

Gears
7 Forward, 1 Reverse

Clutch Type
Hydraulically operated multi-disc

Control Type
Electronic

Torque Control
Hydrodynamic with lock-up in all gears

TRANSFER CASE

Manufacturer
Kessler

Series
W2400

Layout
Remote mounted

Gear Layout
Three in-line helical gears

Output Differential
Interaxle 29/71 proportional differential. Automatic inter-axle differential lock.

AXLES

Manufacturer
Front - Bell
Rear - Kessler

Model
Front: 30T
Rear: 71T

Differential
Front: High input controlled traction differential with spiral bevel gears.

Rear: High input limited slip differential with spiral bevel gears. Traction control functionality provided through speed sensors and brake activation.

Final Drive
Outboard heavy duty planetary on all axles

BRAKING SYSTEM

Service Brake
Dual circuit, full hydraulic actuation wet disc brakes on front and rear axles. Wet brake oil is circulated through a filtration and cooling system.

Maximum brake force:
437 kN (98 242 lbf)

Park & Emergency
Spring applied, air released driveline mounted disc

Maximum brake force:
379 kN (85 203 lbf)

Auxiliary Brake
Automatic Jacobs Engine Brake®. Automatic retardation through electronic activation of wet brake system.

Total Retardation Power
Continuous: 574 kW (770 hp)
Maximum: 983 kW (1 318 hp)

WHEELS

Type
Radial Earthmover

Tyre
Front: 875/65 R29
Rear: Twin 24.00 R35

FRONT SUSPENSION

Semi-independent, leading A-frame supported by hydro-pneumatic suspension struts. Suspension is electronically controlled adaptive suspension with ride height adjustment.

REAR SUSPENSION

Trailing arm cradle supported by hydro-pneumatic suspension struts, with an additional lateral stabiliser.

HYDRAULIC SYSTEM

Full load sensing system serving the prioritized steering, body tipping, suspension and brake functions. A ground-driven, load sensing emergency steering pump is integrated into the main system.

Pump Type
Variable displacement load sensing piston

Flow
330 L/min (87 gal/min)

Pressure
280 Bar (4 060 psi)

Filter
5 microns

STEERING SYSTEM

Double acting cylinders, with ground-driven emergency steering pump.

Lock to lock turns
4,9

Steering Angle
42°

DUMPING SYSTEM

Two double-acting, two stage telescopic, dump cylinders

Raise Time
17 seconds

Lowering Time
18 seconds

Tipping Angle
55 deg standard, or any lower angle programmable

PNEUMATIC SYSTEM

Air drier with heater and integral unloader valve, serving park brake and auxiliary functions.

System Pressure
810 kPa (117 psi)

ELECTRICAL SYSTEM

Voltage
24 V

Battery Type
Two AGM (Absorption Glass Mat) type

Battery Capacity
2 X 75 Ah

Alternator Rating
28V 80A

MAX. VEHICLE SPEED

1st	4 km/h	2,5 mph
2nd	8 km/h	5,6 mph
3rd	16 km/h	10,6 mph
4th	21 km/h	13,7 mph
5th	30 km/h	20 mph
6th	41 km/h	27 mph
7th	47 km/h	32 mph
R	6 km/h	4 mph

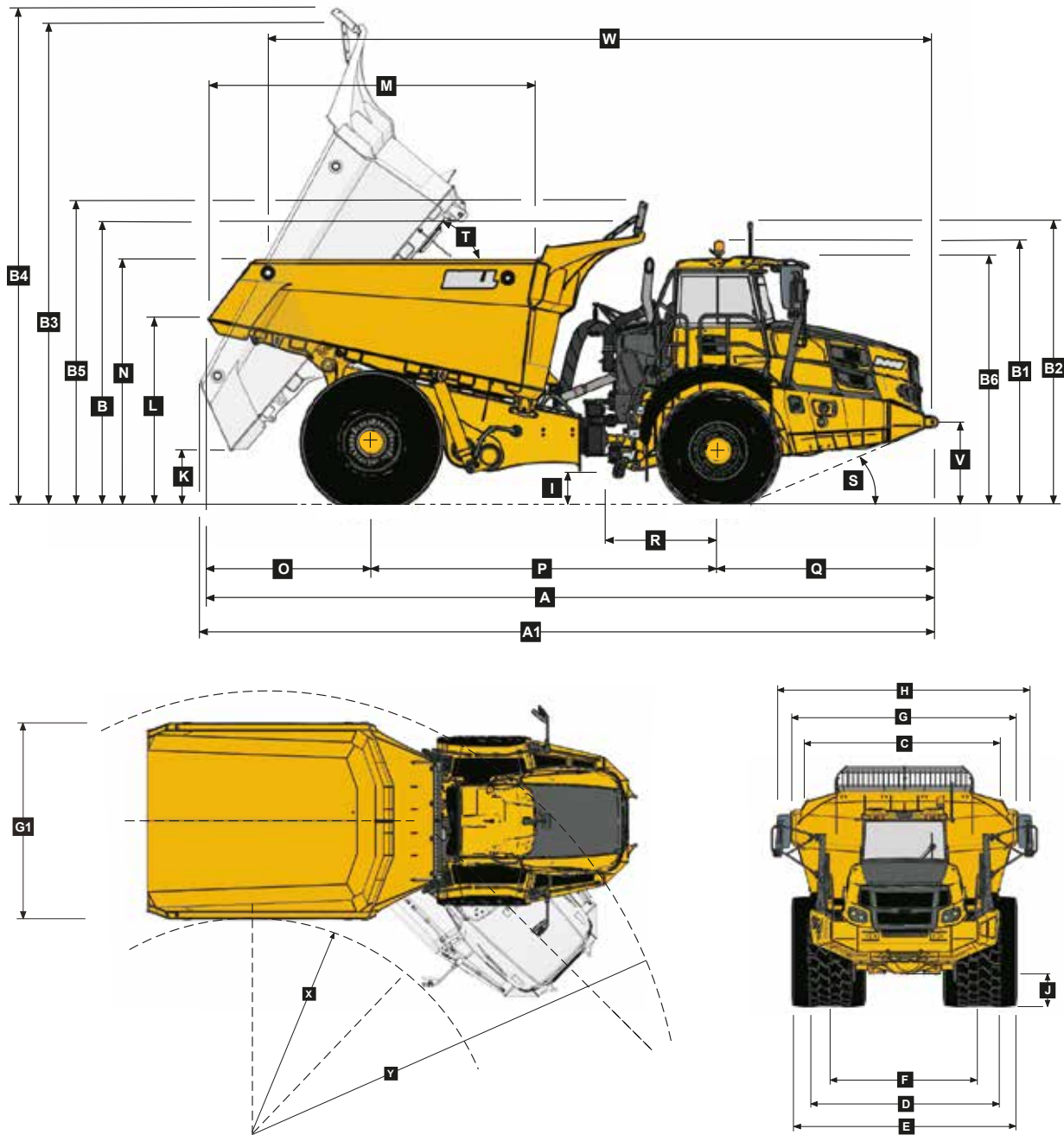
CAB

ROPS/FOPS certified 74 dBA internal sound level measured according to ISO 6396.

Load Capacity & Ground Pressure

OPERATING WEIGHTS		GROUND PRESSURE		LOAD CAPACITY		OPTION WEIGHTS	
UNLADEN	kg (lb)	LADEN		BODY	m ³ (yd ³)	kg (lb)	
Front	20 211 (44 558)	(No sinkage/		Struck Capacity	27 (35,3)	Bin liner	1 116 (2 460)
Rear	22 265 (49 086)	Total Contact Area Method)		SAE 2:1 Capacity	35 (45,8)	Tailgate	1 516 (3 342)
Total	42 476 (93 644)	875/65 R29	kPa (Psi)	SAE 1:1 Capacity	42 (54,9)		
		Front	333 (48)	SAE 2:1 Capacity with Tailgate	35,6 (46,6)	EXTRA WHEELSET	
LADEN		24.00 R35	kPa			875/65 R29	1 024 (2 258)
Front	26 811 (59 108)	Rear	469 (68)	Rated Payload	55 000 kg	24.00 R35	1 240 (2 734)
Rear	70 665 (155 768)						
Total	97 476 (214 898)				(121 254 lb)		

Dimensions



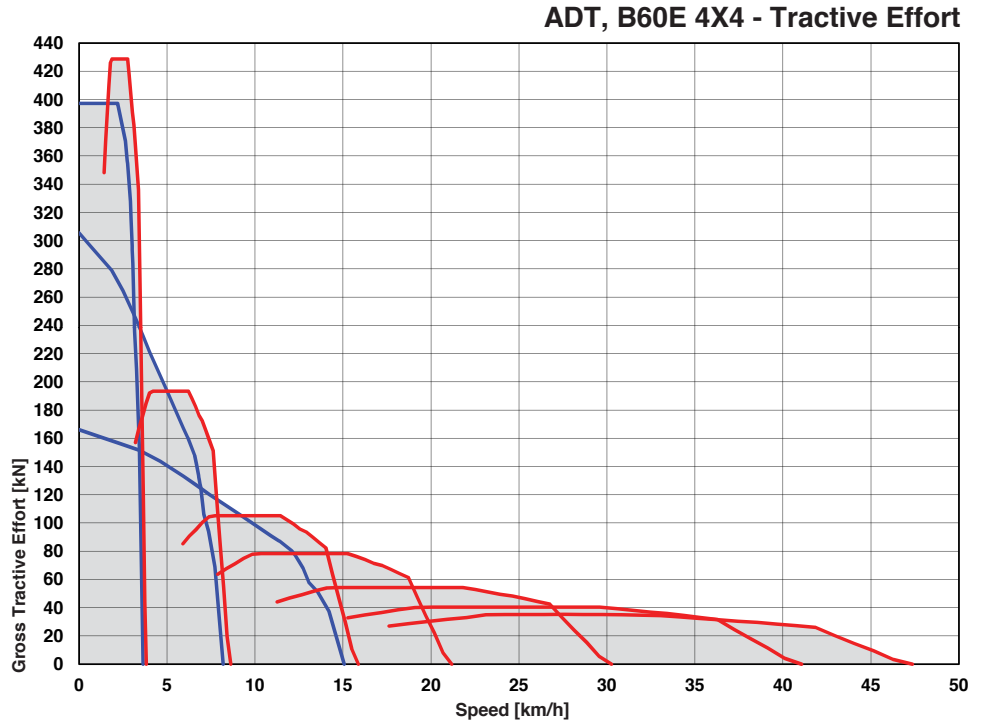
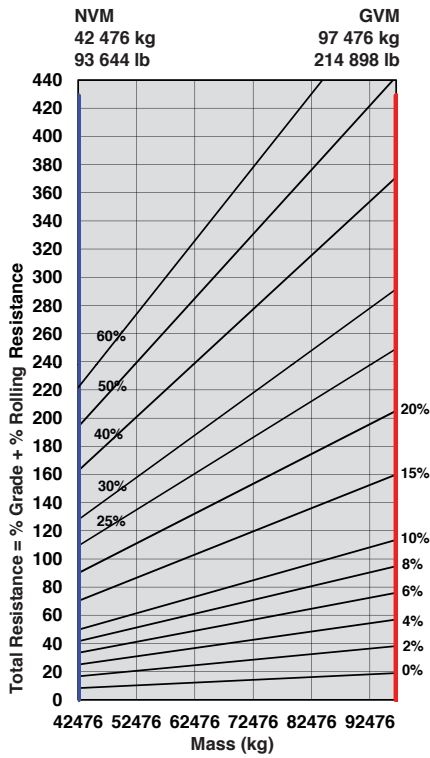
Machine Dimensions

A	Length - Transport Position	11 114 mm	(33.23 ft.)	I	Ground Clearance - Artic	561 mm	(22.09 in.)
A1	Length - Bin Fully Tipped	11 178 mm	(36 ft. 8 in.)	J	Ground Clearance - Front Axle	554 mm	(21.81 in.)
B	Height - Transport Position w/o Rock Guard	4 209 mm	(13 ft.10 in.)	K	Ground Clearance - Bin Fully Tipped	851 mm	(33.5 in.)
B	Height - Transport Position with Rock Guard	4 212 mm	(13 ft.10 in.)	L	Bin Lip Height - Transport Position	2 952 mm	(9 ft. 8 in.)
B1	Height - Rotating Beacon	4 050 mm	(13 ft. 3 in.)	M	Bin Length	5 036 mm	(16 ft. 6 in.)
B2	Height - Load Light	4 333 mm	(14 ft. 2 in.)	N	Load over Height	3 824 mm	(12 ft. 7 in.)
B3	Bin Height - Fully Tipped w/o Rock Guard	7 476 mm	(24 ft. 6 in.)	O	Rear Axle Centre to Bin Rear	2 477 mm	(8 ft. 2 in.)
B4	Bin Height - Fully Tipped with Rock Guard	7 692 mm	(25 ft. 3 in.)	P	Rear Axle Centre to Front Axle Centre	5 285 mm	(17 ft. 4 in.)
B5	Height - Rock Guard Operating Position	4 675 mm	(15 ft. 4 in.)	Q	Front Axle Centre to Machine Front	3 352 mm	(11 ft.)
B6	Height - Cab	3 813 mm	(12 ft. 6 in.)	R	Front Axle Centre to Artic Centre	1 558 mm	(5 ft. 1 in.)
C	Width over Mudguards	3 790 mm	(12 ft. 5 in.)	S	Approach Angle	22°	
D	Width over Front Tyres 875/65 R29	3 832 mm	(12 ft. 7 in.)	T	Maximum Bin Tip Angle	55°	
E	Width over Rear Tyres 24.00R35	4 444 mm	(14 ft. 7 in.)	U	Maximum Articulation Angle	42°	
F	Tyre Track Width Front 875/65R29	2 949 mm	(9 ft. 8 in.)	V	Front Tie Down Height	1 263 mm	(4 ft. 2 in.)
F	Tyre Track Width Rear 24.00R35	2 992 mm	(9 ft. 10 in.)	W	Machine Lifting Centres	10 116 mm	(33 ft. 2 in.)
G	Width over Bin	4 487 mm	(14 ft. 9 in.)	X	Inner Turning Circle Radius	4 246 mm	(13 ft. 11 in.)
G1	Width over Tailgate	4 800 mm	(15 ft. 9 in.)	Y	Outer Turning Circle Radius	9 216 mm	(30 ft. 3 in.)
H	Width over Mirrors - Operating Position	5 242 mm	(17 ft. 2 in.)				

B60E 4x4

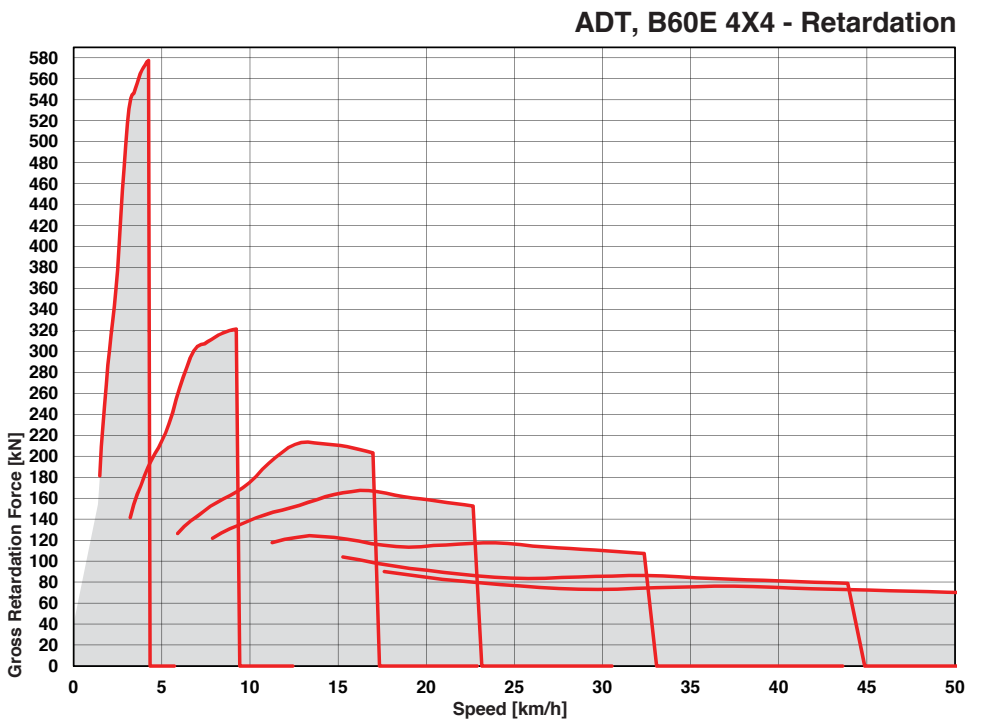
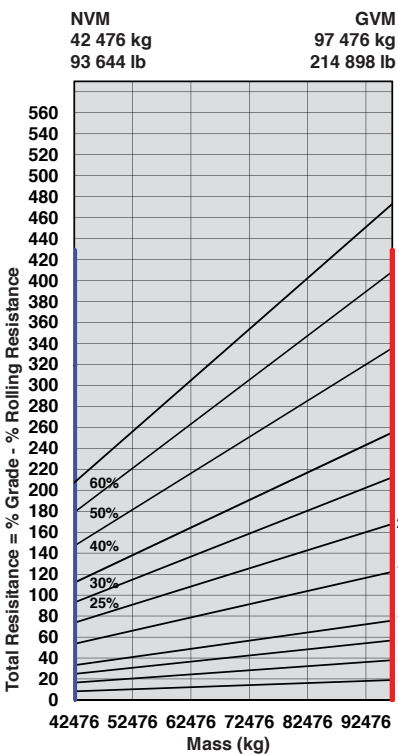
Gradeability/Rimpull

1. Determine tractive resistance by finding intersection of vehicle mass line and grade line. NOTE: 2% typical rolling resistance is already assumed in chart and grade line.
2. From this intersection, move straight right across charts until line intersects rimpull curve.
3. Read down from this point to determine maximum speed attained at that tractive resistance.



Retardation

1. Determine retardation force required by finding intersection of vehicle mass line.
2. From this intersection, move straight right across charts until line intersects the curve. NOTE: 2% typical rolling resistance is already assumed in chart.
3. Read down from this point to determine maximum speed.



B30E 4x4	B45E 4x4	B60E 4x4	
ENGINE			
●			Engine valve brake
	●	●	Jacobs Engine Brake®
●	●	●	Dual element air cleaner with dust ejector valve
●	●	●	Pre-cleaner with automatic dust scavenging
●	●	●	Water separator
●	●	●	Serpentine drive belt with automatic tensioner
●	●	●	Provision for fast fill
	●	●	Wet-sleeve cylinder liners
COOLING			
●	●	●	Crankshaft mounted electronically controlled viscous fan drive
●	●	●	Fan guard
PNEUMATIC SYSTEM			
●	●	●	Engine-mounted compressor
●	●	●	Air drier with heater
●	●	●	Integral unloader valve
ELECTRICAL SYSTEM			
●	●	●	Battery disconnect
●	●		Halogen drive lights
	▲	●	LED drive lights
●	●	●	Air horn
●	●	●	Reverse alarm
▲	▲	▲	White noise reverse alarm
●	●	●	Rotating beacon
●	●	●	Pitch roll sensor
▲	▲	●	LED Artic reverse light
●	●		Halogen artic reverse lights
●	●	●	LED reverse lights
STEERING SYSTEM			
●	●	●	Bi-directional ground-driven secondary steering pump
CAB			
●	●	●	ROPS/FOPS certification
●	●	●	Tilt cab
●	●	●	Gas strut-supported door
●	●	●	I-Tip programmable dump-body tip settings
●	●	●	HVAC Climate control system
●	●	●	AM/FM radio with Aux + USB
●	●	●	Rear window guard
●	●	●	Wiper/washer with intermittent control
●	●	●	Tilt and telescoping steering wheel
●	●	●	Center-mount air-suspension seat
●	●	●	Halogen work lights
▲	▲	●	LED work lights
▲	▲	▲	Rotating beacon: seat belt installation
▲	▲	▲	Remote engine and machine isolation
●	●	●	Remote battery jump start
●	●	●	Retractable 3 point seat belt
●	●	●	Heated seat
●	●	●	Foldaway trainer seat with retractable seat belt
●	●	●	12-volt power outlet
●	●	●	Cab utility bin (removable)
●	●	●	Cup holder
●	●	●	Cooled/heated lunch box
		▲	Heated mirrors

B30E 4x4	B45E 4x4	B60E 4x4	
CAB (continued)			
●	●		Electric adjustable and heated mirrors
●	●	●	Deluxe 10" color LCD:
			Speedometer / Fuel gauge /
			Transmission oil temperature gauge /
			Engine coolant temperature gauge /
			LED function/warning indicators and audible alarm /
			Transmission gear selection /
			Tachometer / Battery voltage / Hour meter /
			Odometer / Fuel consumption / Tip counter /
			Trip timer / Trip distance / Metric/English units /
			Service codes/diagnostics
●	●	●	Backlit sealed switch module functions with:
			Wiper control / Lights / Heated mirrors /
			Retarding aggressiveness / Transfer case differential lock /
			Transmission gear hold /
			Dump-body tip limit / Automatic dump-body tip settings /
			Air conditioner/ Heater controls /
			Preselected Speed Control
DUMP BODY			
●	●	●	Dump body mechanical lock
▲	▲	▲	Partial body liner
▲	▲	▲	Tailgate
▲	▲	▲	Body heater
▲	▲	▲	Less dump body and cylinders
	▲	▲	Bin pole lockout
	●	●	Rear wheel mudguards
OTHER			
●	●	●	Automatic Traction Control (ATC)
●	●	●	Wet disc brakes
●			23.5 R25 Radial Earthmover tyres (Front)
	●		775/65 R29 Radial Earthmover tyres (Front)
		●	875/65 R29 Radial Earthmover tyres (Front)
	▲		26.5 R25 Radial Earthmover tyres (Front-optional)
●			875/65 R29 Radial Earthmover tyres (Rear)
	●		21.00 R35 Dual (Rear)
		●	24.00 R35 Dual (Rear)
●	●		Remote grease banks
▲	●	●	Automatic greasing
●	●	●	Onboard Weighing
▲	▲	●	Load lights: stack
▲	●	●	Comfort ride suspension (Front)
	●	●	Comfort ride suspension (Rear)
▲	●	●	Reverse camera
●	●	●	Hand rails
●	●	●	Cab peak
●	●	●	High pressure hydraulic filter
▲	▲	▲	Fuel heater
●	●	●	Belly cover
●	●	●	Cross member cover
▲	▲	●	Remote transmission filters
●	●	●	Engine and transmission remote drain-gravity
		▲	Engine and transmission remote drain-scavenge
▲	▲	▲	Window smash button
●	●	●	High visibility mirrors
●	●	●	Fleetm@tic® Classic Package for 2 years
●	●	●	Electronic bonnet opening