

220E

Rockscaler GEN 2



- Net Power: 56,5 kW @ 2 200 rpm
- Net Torque: 270 Nm @ 1 500 rpm

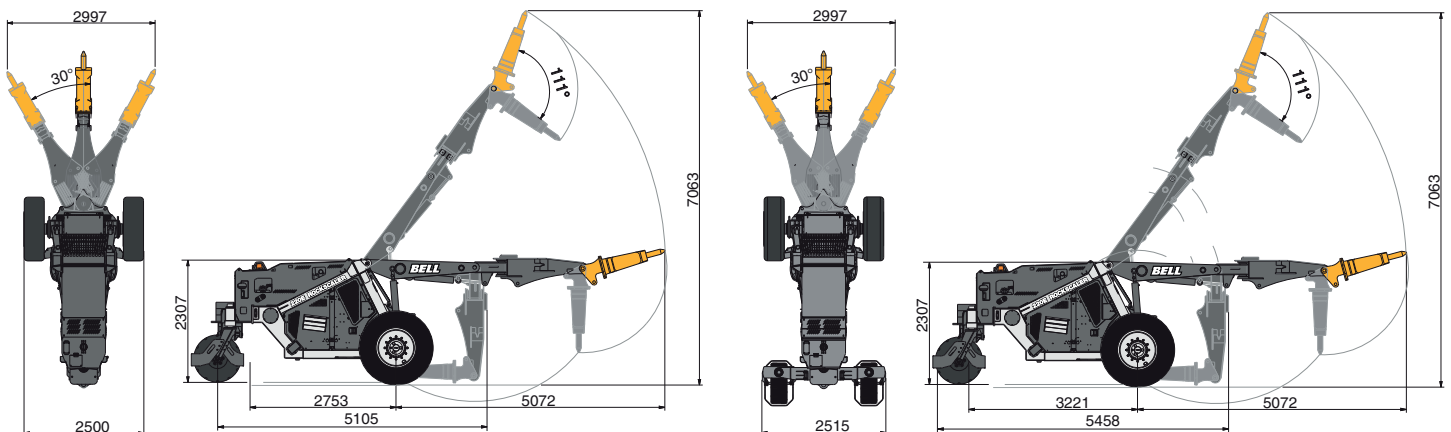
BELL

Technical Data - 220E Rockscaler GEN 2



HAMMER Atlas Copco SB302 Option Atlas Copco SB202	Aspirated Naturally ISO/DIN Spec 3 046 IFN Power rating 56,5 kW @ 2 200 rpm Torque, max 270 Nm @ 1 500 rpm	TYRES Dimension: Front 17.5 R25 L5 Rear (dual) 35 x 15 - 15 Type Tubeless, treaded Wheel rim guards Rear tyre	HYDRAULIC SYSTEM Filtration type Suction Filtration grade 20 µm Cylinder rod surface treatment Chrome
MEASUREMENTS Width, Dual tail wheel 2 515 mm Width, Single tail wheel 2 500 mm Length 5 105 mm Height 2 307 mm	TRANSMISSION Pump Eaton Type Variable Displacement, Tandem Axial Piston	STANDARD EQUIPMENT Hour-meter Yes Engine oil pressure and Temperature warning lamp Yes Hydraulic temperature warning lamp Yes Alternator charge lamp Yes Combined park & low charge pressure lamp Yes Lighting (LED) 6 x 15 W Forward (1 500 Lumens) 2 x 15 W Rear (1 500 Lumens)	FUEL Fuel tank capacity 100 L Primary fuel filter 5 µm Water separation Yes
ENGINE Engine brand /model Deutz F4L914 Tier 2 Number of cylinders 4, in-line Displacement 4 300 cm ³ Dry type air cleaner Yes Remote engine oil drain Yes Type of cooling Air Exhaust rock protection Yes	Control / Option Servo control via foot pedal linkage or servo control via electric pedal Motor Poclairn Wheeldrive Bell #29 P Configuration Double planetary reduction Travel speed 10 km/h Brakes SAHR Brakes Go / no-go gauge	Beacon Light Yes Hooter Yes	OTHER Lubrication (Grease) Manual Auto Grease, optional Fire extinguisher Optional SAFETY Door interlock standard Hydraulic emergency brake push button SAHR Brake test switch PDS ready, optional Electrical foot pedal option 1. Wheel speed interlock 2. Training app via android device

Dimensions



All dimensions are shown in millimetres, unless otherwise stated between brackets. Under our policy of continuous improvement, we reserve the right to change technical data and design without prior notice. Photographs featured in this brochure may include optional equipment. Please verify machine specifications with your Bell Sales Representative prior to placing orders.

BELL INTERNATIONAL: Tel: +27 (0)35-907 9431

E-mail: marketing@bellequipment.com

Web: www.bellequipment.com

Tel: +61 (0)8 9355 2442
 Tel: +49 (0)663 191 130
 Tel: +27 (0)11 928 9700
 Tel: +44 (0)1283 712 862

Tel: +33 (0)5 55 892 356
 Tel: +7 495 287 80 02
 Tel: (704) 655 2802

**Strong Reliable Machines
Strong Reliable Support**

