

# ADT

Load Bodies

# 6x6

Articulated Dump Truck



**BELL**



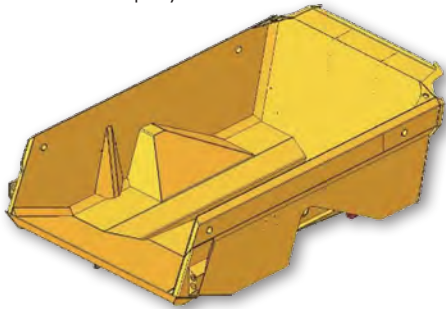
# ADT Custom Load Bodies

Bell Application Equipment (BAE) manufactures various load bodies to suit your specific, and possibly unusual worksite conditions.

Our engineers utilize the design specifications and parameters of our standard ADTs to develop a custom load body which gives comparable safety, performance and structural integrity of the base truck.

## Coal Body (High Volume Body)

High-volume load bodies for Bell ADT sizes from B18E to B50E, are available on special request. They are based on the standard length ADT rear chassis so they are fully interchangeable with the standard load body. The standard mounting, resting and cylinder points are utilised. Additionally the standard tip cylinders are used. Bin volume is sized using an SG of 1,2 t/ms, in order to achieve a full rated payload.



As coal is lighter and less abrasive than typical overburden, the steel plate used in coal bodies is not as thick as standard ADT load bodies. As a result it cannot be used to haul more aggressive materials. Tailgates are supplied with coal bodies.

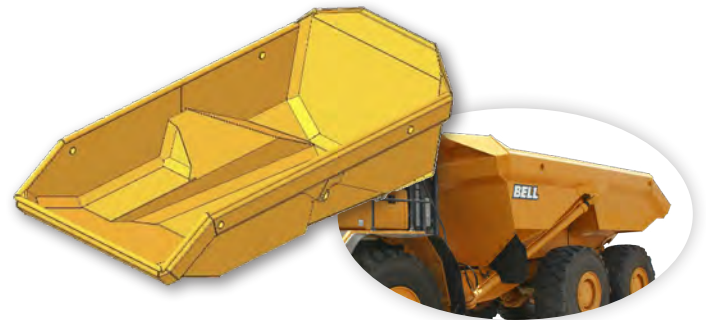
## Dovetail Body

Based on the standard ADT bodies but with an extended "dovetail" which is bent up at the back. In applications where tailgates are not practical (e.g. underground), this bin configuration helps to minimise spillage when hauling up steep inclines.



## Super Body

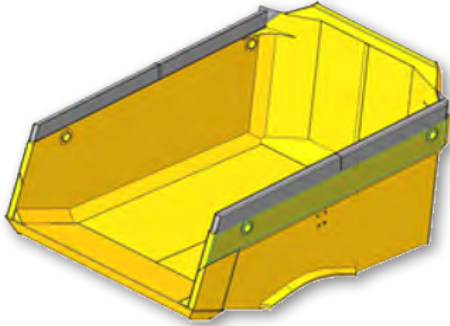
When operating under restricted heights (e.g. in tunnel applications) the super bin gives additional carrying capacity lower down. This compensates for loss of heaped volume in these applications. Side pockets are in the bin for tip cylinder fitment.



ADT	STANDARD BIN		DOVETAIL BIN		SUPER BIN		COAL BIN	
	Struck	Heaped	Struck	Heaped	Struck	Heaped	Struck	Heaped
B18E/B20E	9	11	9	11	9	11	11	15
B25E	12	15	12	15	12	15	15	20
B30E	14	17.5	14	17.5	14	17.5	18	23
B35E	16	20.5	16	20.5	16	20.5	25.9	31.9
B40E	19	24	19	24	19	24	30	37
B45E	19.5	25	19.5	25	19.5	25	32	39
B50E	21.5	27.5	21.5	27.5	21.5	27.5	33.5	42

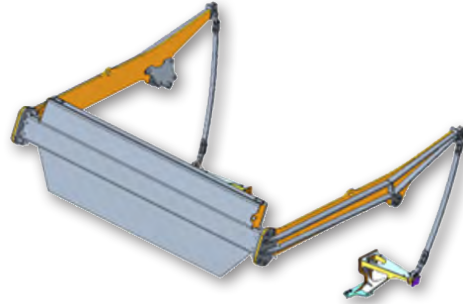
## Raised Sides (Greedy Boards)

In order to compensate for 'lost' payload tonnage due to marginally lighter material or loading compromises, raised body sides are available. The factory offers the most common size of 200 mm on Greedy boards, but other sizes are available on request.



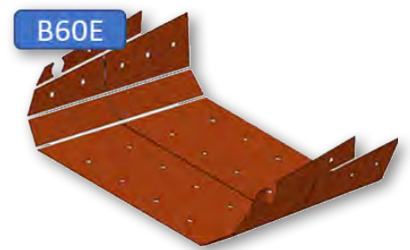
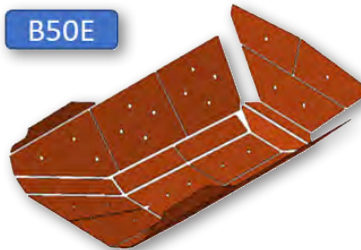
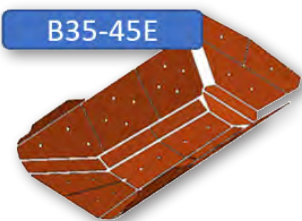
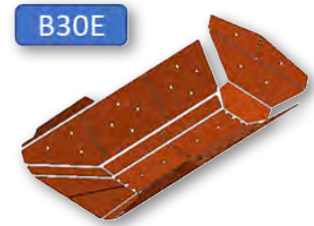
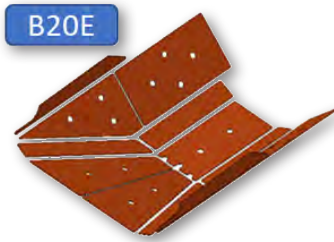
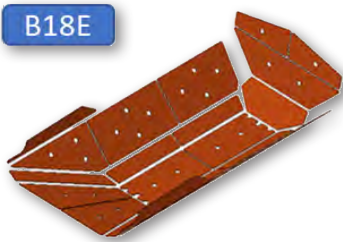
## Tail Gate

Tailgates are available for all ADT ranges. Tailgate allows you to operate at full capacity, so spilling is less likely, especially when hauling loose material. Bell tailgates use leaf blades rather than chains to preload the tailgate and keep it stable when driving on uneven terrain.



## Bin liner option

Bell offers standard liner options for applications involving highly abrasive material. *Note: The payload will be reduced by the mass of the liner kit.*



## Load bodies volumes

	B18E/B20E	B25E	B30E	B30E 4X4	B35E	B40E	B45E	B50E	B60E
HEAP TYPE	VOLUME m <sup>3</sup>	VOLUME m <sup>3</sup>	VOLUME m <sup>3</sup>	VOLUME m <sup>3</sup>	VOLUME m <sup>3</sup>	VOLUME m <sup>3</sup>	VOLUME m <sup>3</sup>	VOLUME m <sup>3</sup>	VOLUME m <sup>3</sup>
STRUCK	9,0	11,5	13,5	15,0	16,0	19,0	19,5	21,5	27,0
2:1 HEAP	11,0	15,0	17,0	18,5	20,5	24,0	25,0	27,5	35,0
1:1 HEAP	13,5	18,0	21,0	21,5	24,5	28,5	29,5	33,0	42,0
2:1 HEAP with Tailgate	11,5	15,5	17,5	19,5	21,0	24,5	26,0	29,0	36,0
2:1 HEAP with G/Board (200mm)	13	17	19,5	20,00	23	26,5	27,5	30	37,5





All dimensions are shown in millimetres, unless otherwise stated between brackets. Under our policy of continuous improvement, we reserve the right to change technical data and design without prior notice. Photographs featured in this brochure may include optional equipment. Available in E-series only.

**BELL INTERNATIONAL: Tel: +27 (0)35-907 9431**

**E-mail: [marketing@bellequipment.com](mailto:marketing@bellequipment.com)**

**Web: [www.bellequipment.com](http://www.bellequipment.com)**



Tel: +61 (0)8-9355-2442



Tel: +27 (0)11-928-9700



Tel: +33 (0)5-55-89-23-56



Tel: +44 (0)1283-712862



Tel: +49 (0)6631 / 91-13-0



Tel: +1 (704) 655 2802

**Strong Reliable Machines  
Strong Reliable Support**

**BELL**