

B30E 4x4 Articulated Dump Truck

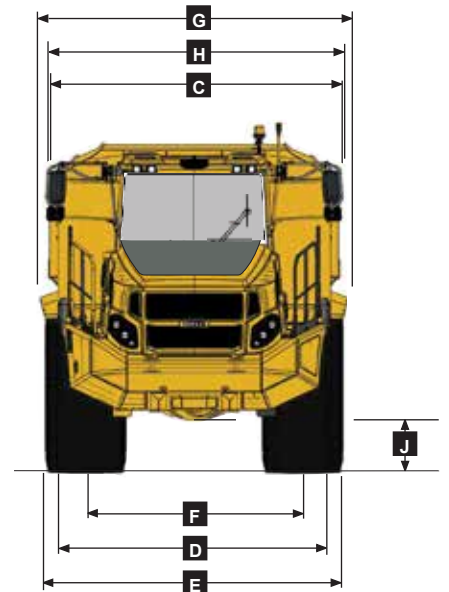
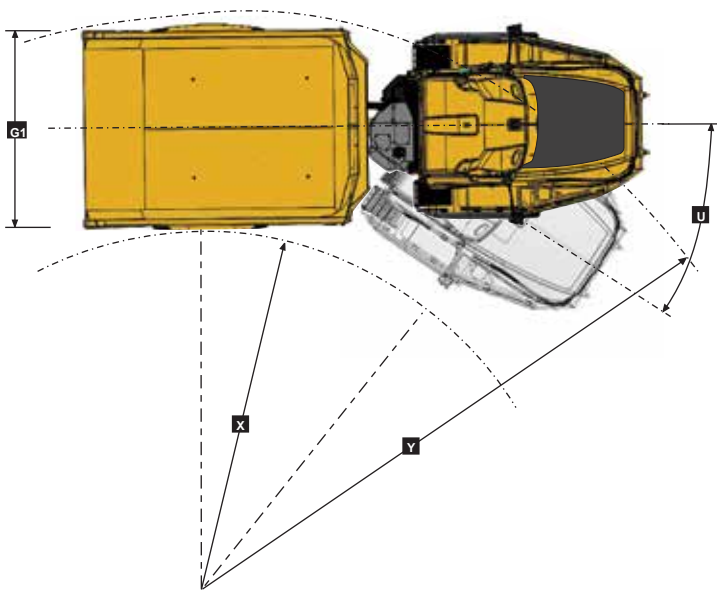
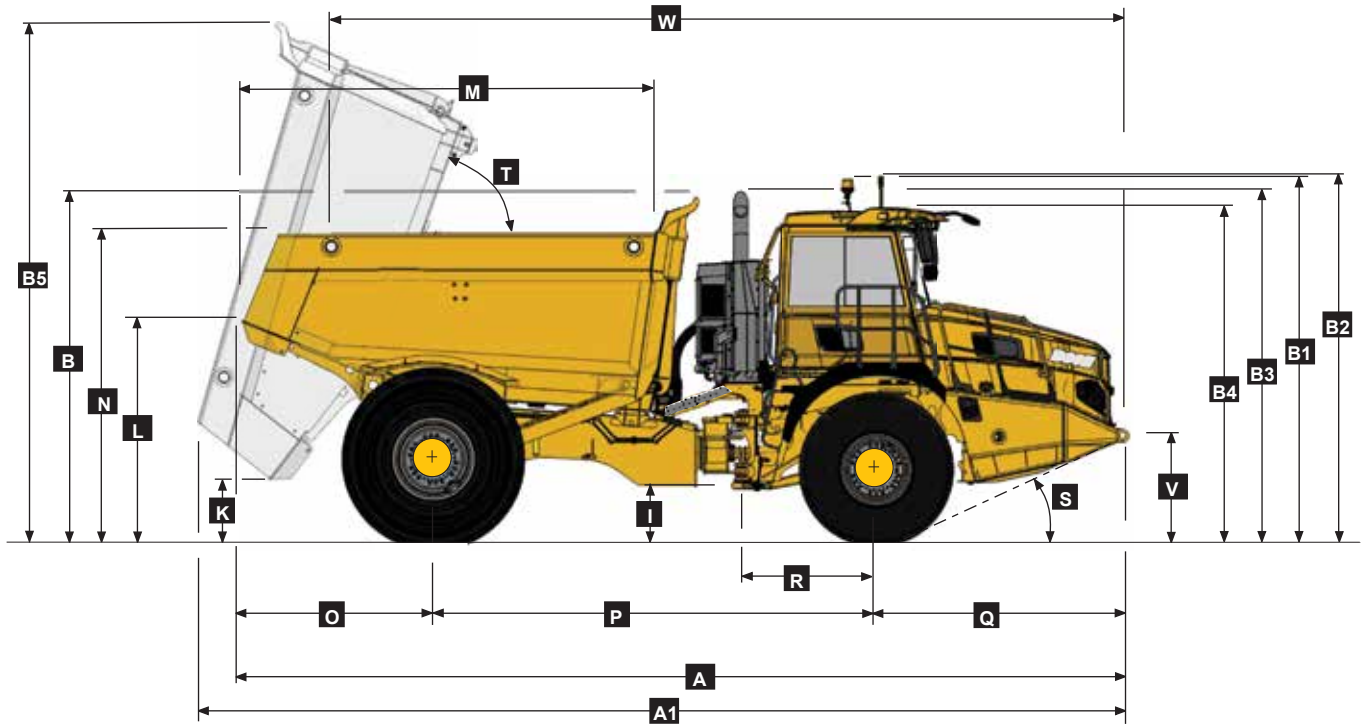
<p>ENGINE</p> <p>Manufacturer Mercedes Benz</p> <p>Model OM926LA</p> <p>Configuration Inline 6, turbocharged and intercooled</p> <p>Maximum Net Power 240 kW (322 hp) @ 2 200 rpm in accordance with UN ECE R120</p> <p>Gross Torque 1 300 Nm (959 lbft) @ 1 200 -1 600 rpm</p> <p>Displacement 7,2 litres (469 cu.in)</p> <p>Auxiliary Brake Engine valve brake</p> <p>Fuel Tank Capacity 379 litres (100 US gal)</p> <p>Certification OM926LA meets EU Stage II emissions regulations</p>	<p>TRANSFER CASE</p> <p>Manufacturer Kessler</p> <p>Series W1400</p> <p>Layout Remote mounted</p> <p>Gear Layout Three in-line helical gears</p> <p>Output Differential Interaxle 33/67 proportional differential. Automatic inter-axle differential lock.</p>	<p>WHEELS</p> <p>Type Radial Earthmover</p> <p>Tyre Front: 23.5 R25 Rear: 875/65 R29</p>	<p>Tipping Angle 70° standard, or any lower angle programmable</p>																					
<p>TRANSMISSION</p> <p>Manufacturer Allison</p> <p>Model 3400 P ORS</p> <p>Configuration Fully automatic planetary transmission</p> <p>Layout Engine mounted</p> <p>Gear Layout Constant meshing planetary gears, clutch operated</p> <p>Gears 6 Forward, 1 Reverse</p> <p>Clutch Type Hydraulically operated multi-disc</p> <p>Control Type Electronic</p> <p>Torque Control Hydrodynamic with lock-up in all gears</p>	<p>AXLES</p> <p>Manufacturer Bell</p> <p>Model Front: Bell 18T Rear: Bell 36T</p> <p>Front Differential High input limited slip differential with spiral bevel gears</p> <p>Final Drive Outboard heavy duty planetary on all axles</p>	<p>FRONT SUSPENSION Semi-independent, leading A-frame supported by hydro-pneumatic suspension struts.</p> <p>Optional active dual springrate Comfort Ride suspension available, including height control.</p>	<p>PNEUMATIC SYSTEM Air drier with heater and integral unloader valve, serving park brake and auxiliary functions.</p> <p>System Pressure 8,1 Bar (117 psi)</p>																					
	<p>BRAKING SYSTEM</p> <p>Service Brake Dual circuit, full hydraulic actuation wet disc brakes on front and rear axles. Wet brake oil is circulated through a filtration and cooling system.</p> <p>Maximum brake force: 284 kN (63 859 lbf)</p> <p>Park & Emergency Spring applied, air released driveline mounted disc</p> <p>Maximum brake force: 396 kN (89 000 lbf)</p> <p>Auxiliary Brake Automatic exhaust valve brake and engine valve brake. Automatic retardation through electronic activation of wet brake system.</p> <p>Total Retardation Power Continuous: 218 kW (292 hp) Maximum: 609kW (816 hp)</p>	<p>HYDRAULIC SYSTEM Full load sensing system serving the prioritized steering, body tipping and brake functions. A ground-driven, load sensing emergency steering pump is integrated into the main system.</p> <p>Pump Type Variable displacement load sensing piston</p> <p>Flow 202 L/min (53 gal/min)</p> <p>Pressure 310 Bar (4 500 psi)</p> <p>Filter 5 microns</p>	<p>ELECTRICAL SYSTEM</p> <p>Voltage 24 V</p> <p>Battery Type Two AGM (Absorption Glass Mat) type.</p> <p>Battery Capacity 2 X 75 Ah</p> <p>Alternator Rating 28 V 80 A</p>																					
		<p>STEERING SYSTEM Double acting cylinders, with ground-driven emergency steering pump.</p> <p>Lock to lock turns 4,1</p> <p>Steering Angle 45°</p>	<p>VEHICLE SPEEDS</p> <table border="1"> <tr><td>1st</td><td>9 km/h</td><td>5 mph</td></tr> <tr><td>2nd</td><td>16 km/h</td><td>10 mph</td></tr> <tr><td>3rd</td><td>21 km/h</td><td>13 mph</td></tr> <tr><td>4th</td><td>32 km/h</td><td>20 mph</td></tr> <tr><td>5th</td><td>46 km/h</td><td>28 mph</td></tr> <tr><td>6th</td><td>50 km/h</td><td>31 mph</td></tr> <tr><td>R</td><td>8 km/h</td><td>5 mph</td></tr> </table>	1st	9 km/h	5 mph	2nd	16 km/h	10 mph	3rd	21 km/h	13 mph	4th	32 km/h	20 mph	5th	46 km/h	28 mph	6th	50 km/h	31 mph	R	8 km/h	5 mph
1st	9 km/h	5 mph																						
2nd	16 km/h	10 mph																						
3rd	21 km/h	13 mph																						
4th	32 km/h	20 mph																						
5th	46 km/h	28 mph																						
6th	50 km/h	31 mph																						
R	8 km/h	5 mph																						
		<p>DUMPING SYSTEM Two double-acting, single stage, dump cylinders</p> <p>Raise Time 12 s</p> <p>Lowering Time 6 s</p>	<p>CAB ROPS/FOPS certified 74 dBA internal sound pressure measured according to ISO 6396.</p>																					

Load Capacity & Ground Pressure

OPERATING WEIGHTS*		GROUND PRESSURE*		LOAD CAPACITY		OPTION WEIGHTS	
UNLADEN	kg (lb)	LADEN		BODY	m³ (yd³)	kg (lb)	
Front	11 499 (25 355)	(No sinkage or Total Contact Area)		Struck Capacity	15 (19,5)	Bin liner	1 380 (3 042)
Rear	12 127 (26 740)	23.5 R 25	kPa (Psi)	SAE 2:1 Capacity	18,5 (24)	Tailgate	1 051 (2 317)
Total	23 626 (52 095)	Front	295 (42,8)	SAE 1:1 Capacity	21,5 (28)		
				SAE 1:1 Capacity with Tailgate	19,5 (25,5)	EXTRA WHEELSET	
LADEN		875/65 R 29	kPa (Psi)			23.5 R25	544 (1 199)
Front	13 951 (30 762)	Rear	442 (64)			875/65 R29	1 338 (2 950)
Rear	37 675 (83 073)			Rated Payload	28 000 kg		
Total	51 626 (113 855)				(61 729 lbs)		

* including additional equipment

Dimensions

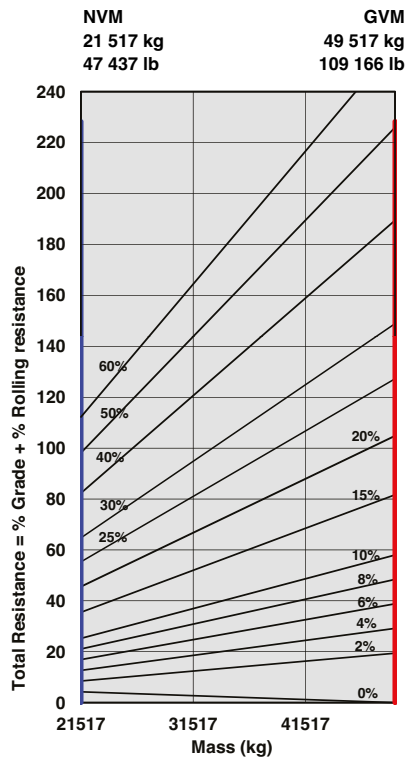


Machine Dimensions

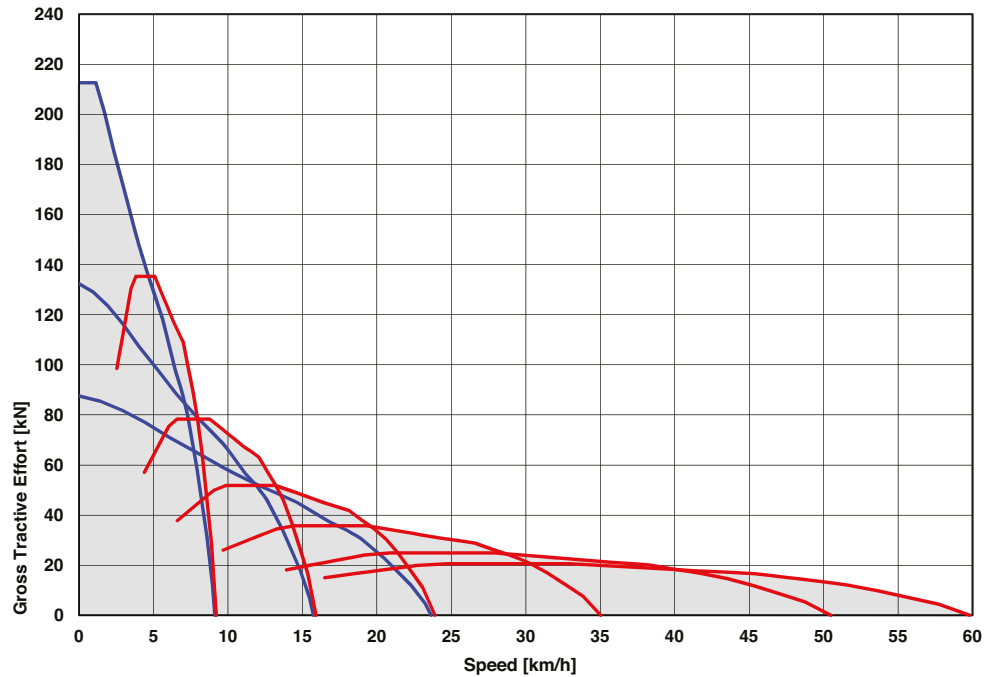
A	Length - Transport Position	9 122 mm	(29.11 ft.)	J	Ground Clearance - Front Axle	480 mm	(18.9 in.)
A1	Length - Bin Fully Tipped	9 709 mm	(31.10 ft.)	K	Ground Clearance - Bin Fully Tipped	444mm	(17.5 in.)
B	Height - Transport Position (no exhaust stack)	3 548 mm	(11.8 ft.)	L	Bin Lip Height - Transport Position	2 331 mm	(7.8 ft.)
B1	Height - Rotating Beacon	3 718 mm	(12.2 ft.)	M	Bin Length	4 271 mm	(14.00 ft.)
B2	Height - Load Light	3 740 mm	(12.3 ft.)	N	Load over Height	3 207 mm	(10.6 ft.)
B3	Height - Exhaust Stack	3 605 mm	(11.10 ft.)	O	Rear Axle Centre to Bin Rear	1 957 mm	(6.5 ft.)
B4	Height - Cab	3 418 mm	(11.3 ft.)	P	Rear Axle Centre to Front Axle Centre	4 560 mm	(14.12 ft.)
B5	Bin Height - Fully Tipped	5 310 mm	(17.5 ft.)	Q	Front Axle Centre to Machine Front	2 605 mm	(8.7 ft.)
C	Width Over Mudguards	2 985 mm	(9.10 ft.)	R	Front Axle Centre to Artic Centre	1 360 mm	(4.6 ft.)
D	Width Over Tyres - Front - 23.5R25	2 998 mm	(9.10 ft.)	S	Approach Angle	25 °	
E	Width Over Tyres - Rear - 875/65 R29	3 270 mm	(10.9 ft.)	T	Maximum Bin Tip Angle	70 °	
F	Tyre Track Width - Front	2 390 mm	(7.10 ft.)	U	Maximum Articulation Angle	45 °	
F	Tyre Track Width - Rear	2 386 mm	(7.10 ft.)	V	Front Tie Down Height	1 040 mm	(3.5 ft.)
G	Width over Bin	3 383 mm	(11.2 ft.)	W	Machine Lifting Centres	8 126 mm	(26.8 ft.)
G1	Width over Tailgate	3 480 mm	(11.5 ft.)	X	Inner Turning Circle Radius	3 488 mm	(11.5 ft.)
H	Width over Mirrors - Operating Position	3 260 mm	(10.9 ft.)	Y	Outer Turning Circle Radius	7 385 mm	(24.3 ft.)
I	Ground Clearance - Artic	539 mm	(21.22 in.)				

Gradeability/Rimpull

1. Determine tractive resistance by finding intersection of vehicle mass line and grade line. NOTE: 2% typical rolling resistance is already assumed in chart and grade line.
2. From this intersection, move straight right across charts until line intersects rimpull curve.
3. Read down from this point to determine maximum speed attained at that tractive resistance.

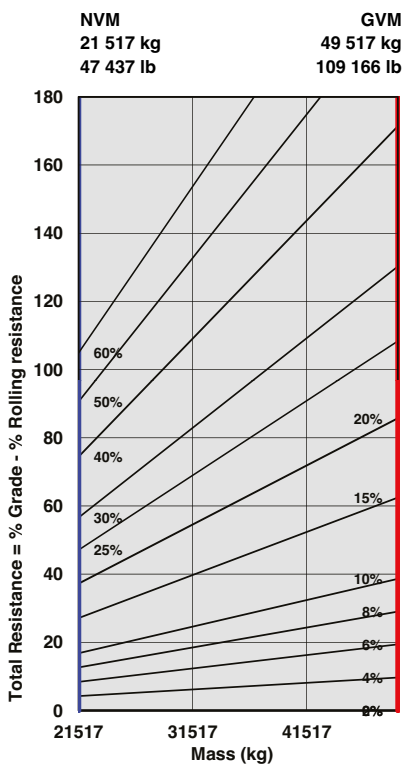


ADT, B30E 4x4 Tractive Effort

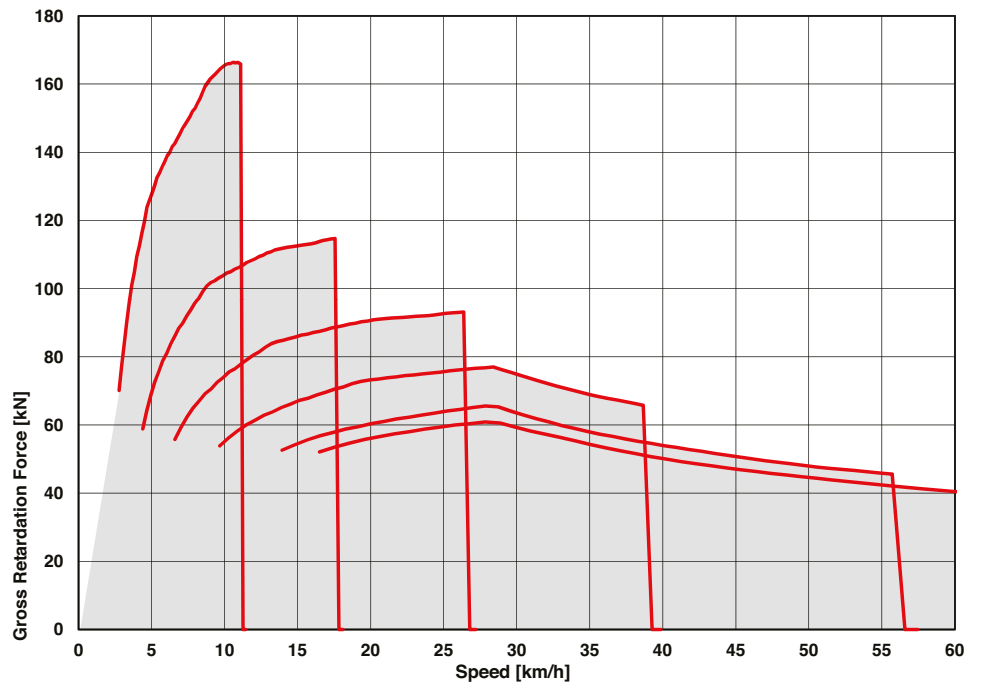


Retardation

1. Determine retardation force required by finding intersection of vehicle mass line.
2. From this intersection, move straight right across charts until line intersects the curve. NOTE: 2% typical rolling resistance is already assumed in chart.
3. Read down from this point to determine maximum speed.



ADT, B30E 4x4 Retardation



B30E 4x4	B60E 4x4	
ENGINE		
●	●	Jacobs Engine Brake®
●	●	Dual element air cleaner with dust ejector valve
●	●	Pre-cleaner with automatic dust scavenging
●	●	Water separator
●	●	Serpentine drive belt with automatic tensioner
●	●	Provision for fast fill
●	●	Wet-sleeve cylinder liners
COOLING		
●	●	Crankshaft mounted electronically controlled viscous fan drive
●	●	Fan guard
PNEUMATIC SYSTEM		
●	●	Engine-mounted compressor
●	●	Air drier with heater
●	●	Integral unloader valve
ELECTRICAL SYSTEM		
●	●	Battery disconnect
●	●	Halogen drive lights
●	●	LED drive lights
●	●	Air horn
●	●	Reverse alarm
▲	▲	White noise reverse alarm
●	●	Rotating beacon
●	●	Pitch roll sensor
▲	●	LED Artic reverse light
●	●	Halogen artic reverse lights
●	●	LED reverse lights
STEERING SYSTEM		
●	●	Bi-directional ground-driven secondary steering pump
CAB		
●	●	ROPS/FOPS certification
●	●	Tilt cab
●	●	Gas strut-supported door
●	●	I-Tip programmable dump-body tip settings
●	●	HVAC Climate control system
●	●	AM/FM radio with Aux + USB
●	●	Rear window guard
●	●	Wiper/washer with intermittent control
●	●	Tilt and telescoping steering wheel
●	●	Center-mount air-suspension seat
●	●	Halogen work lights
▲	●	LED work lights
▲	▲	Rotating beacon: seat belt installation
▲	▲	Remote engine and machine isolation
●	●	Remote battery jump start
●	●	Retractable 3 point seat belt
●	●	Heated seat
●	●	Foldaway trainer seat with retractable seat belt
●	●	12-volt power outlet
●	●	Cab utility bin (removable)
●	●	Cup holder
●	●	Cooled/heated lunch box

B30E 4x4	B60E 4x4	
CAB (continued)		
●	●	Manually adjusted mirrors
▲	▲	Heated mirrors
●	●	Electric adjustable and heated mirrors
●	●	Deluxe 10" color LCD: Speedometer / Fuel gauge / Transmission oil temperature gauge / Engine coolant temperature gauge / LED function/warning indicators and audible alarm / Transmission gear selection / Tachometer / Battery voltage / Hour meter / Odometer / Fuel consumption / Tip counter / Trip timer / Trip distance / Metric/English units / Service codes/diagnostics
●	●	Backlit sealed switch module functions with: Wiper control / Lights / Heated mirrors / Retarding aggressiveness / Transfer case differential lock / Transmission gear hold / Dump-body tip limit / Automatic dump-body tip settings / Air conditioner/Heater controls / Preselected Speed Control
DUMP BODY		
●	●	Dump body mechanical lock
▲	▲	Partial body liner
▲	▲	Tailgate
▲	▲	Body heater
▲	▲	Less dump body and cylinders
▲	▲	Bin pole lockout
●	●	Rear wheel mudguards
OTHER		
●	●	Automatic Traction Control (ATC)
●	●	Wet disc brakes
●	●	23.5 R25 Radial Earthmover tyres (Front)
●	●	875/65 R29 Radial Earthmover tyres (Rear)
●	●	875/65 R29 Radial Earthmover tyres (Front)
●	●	24.00 R35 Dual (Rear)
●	●	Remote grease banks
▲	●	Automatic greasing
●	●	Onboard Weighing
▲	●	Load lights: stack
▲	●	Comfort ride suspension (Front)
●	●	Comfort ride suspension (Rear)
▲	●	Reverse camera
●	●	Hand rails
●	●	Cab peak
●	●	High pressure hydraulic filter
▲	▲	Fuel heater
●	●	Belly cover
●	●	Cross member cover
▲	●	Remote transmission filters
●	●	Engine and transmission remote drain-gravity
▲	▲	Engine and transmission remote drain-scavenge
▲	▲	Window smash button
●	●	High visibility mirrors
●	●	Fleetm@tic® Classic Package for 2 years
●	●	Electronic bonnet opening