



Engine

Model	HINO J05E-TH
Type	Direct injection, water-cooled, 4-cycle diesel engine with turbocharger, intercooler
No. of cylinders	4
Bore and stroke	112 mm x 130 mm
Displacement	5.123 L
Rated power output	137 kW/2,100 min ⁻¹ (without fan ISO 14396)
	132 kW/2,100 min ⁻¹ (with fan)
Max. torque	654 N•m/1,600 min ⁻¹ (without fan ISO 14396)
	644 N•m/1,600 min ⁻¹ (with fan)



Hydraulic System

Pump	
Type	Two variable displacement axial piston pumps + one gear pump
Max. discharge flow	2 x 245 L/min, 1 x 21 L/min
Relief valve setting	
Boom, arm and bucket	34.3 MPa {350 kgf/cm ² }
Power Boost	37.8 MPa {385 kgf/cm ² }
Travel circuit	34.3 MPa {350 kgf/cm ² }
Swing circuit	28.4 MPa {290 kgf/cm ² }
Control circuit	5.0 MPa {50 kgf/cm ² }
Pilot control pump	Gear type
Main control valve	8-spool
Oil cooler	Air cooled type



Swing System

Swing motor	Axial piston motor
Brake	Hydraulic; locking automatically when the swing control lever is in neutral position
Parking brake	Wet multiple plate
Swing speed	10.8 min ⁻¹ {rpm}
Tail swing radius	3,100 mm
Min. front swing radius	3,910 mm



Attachments

Backhoe bucket and arm combination

Use			HD bucket	Standard bucket	Full HD bucket	
Bucket capacity	ISO heaped	m ³	1.00	1.20	1.10	1.30
	ISO Struck	m ³	0.76	0.84	0.81	0.90
Opening width	With side cutters	mm	1,310	1,440	1,250	1,420
	Without side cutters	mm	1,190	1,340	1,250	1,420
No. of teeth			5	5	5	5
Bucket weight		kg	890	840	1,100	1,190
Combinations	2.50m short arm		○	◎	◎	△
	2.98m standard arm		◎	○	○	△

◎ Standard combination ○ General operation △ Light operation



Travel System

Travel motors	Variable displacement piston pump
Travel brakes	Hydraulic
Parking brakes	Wet multiple plate
Travel shoes	51 each side
Travel speed	6.1/3.8 km/h
Drawbar pulling force	244 kN (ISO 7464)
Gradeability	70 % {35°}
Ground clearance	460 mm



Cab & Control

Cab	
All-weather, sound-suppressed steel cab mounted on the high suspension mounts filled with silicone oil and equipped with a heavy, insulated floor mat.	
Control	
Two hand levers and two foot pedals for travel	
Two hand levers for excavating and swing	
Electric rotary-type engine throttle	



Boom, Arm & Bucket

Boom cylinders	135 mm x 1,235 mm
Arm cylinder	145 mm x 1,635 mm
Bucket cylinder	125 mm x 1,200 mm



Refilling Capacities & Lubrications

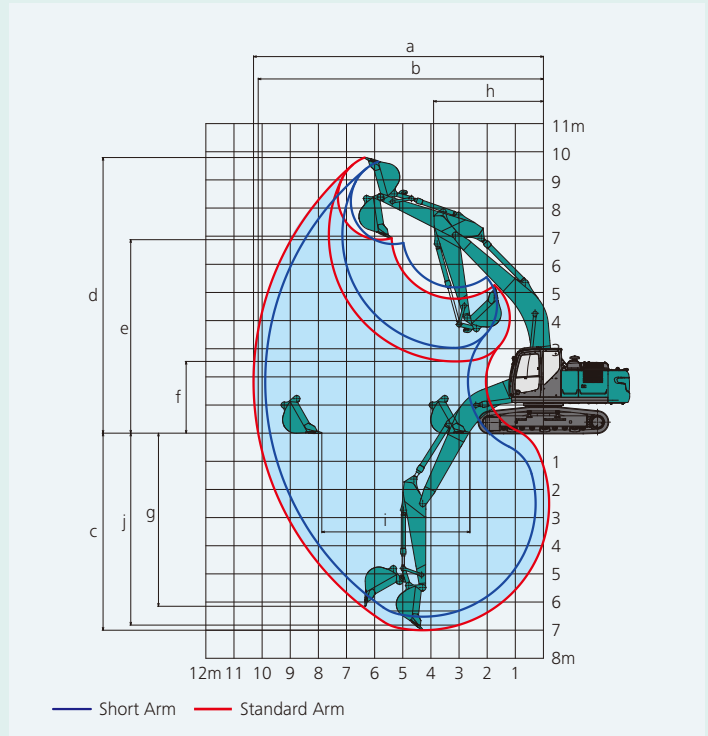
Fuel tank	403 L
Cooling system	21 L
Engine oil	20.5 L
Travel reduction gear	2 x 4.5 L
Swing reduction gear	5 L
Hydraulic oil tank	165 L tank oil level
	331 L hydraulic system



Working Ranges

Unit: m

Boom	Arm	6.02m	
		Short 2.5 m	Standard 2.98 m
Range			
a- Max. digging reach		9.89	10.30
b- Max. digging reach at ground level		9.72	10.14
c- Max. digging depth		6.52	7.00
d- Max. digging height		9.65	9.79
e- Max. dumping clearance		6.72	6.88
f- Min. dumping clearance		3.03	2.55
g- Max. vertical wall digging depth		5.82	6.15
h- Min. swing radius		3.91	3.91
i- Horizontal digging stroke at ground level		4.20	5.26
j- Digging depth for 2.4 m (8') flat bottom		6.32	6.82
Bucket capacity ISO heaped m ³		1.20	1.00



Digging Force (ISO 6015)

Unit: kN

Arm length	Short 2.50 m	Standard 2.98 m
Bucket digging force	170 187*	170 187*
Arm crowding force	142 156*	122 134*

*Power Boost engaged.



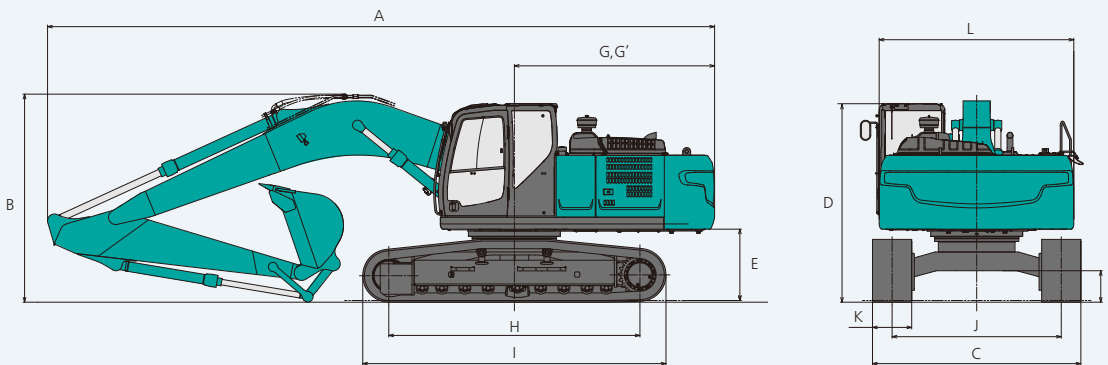
Dimensions

Arm length	Short 2.50 m	Standard 2.98 m
A Overall length	10,270	10,210
B Overall height (to top of boom)	3,340	3,180
C Overall width of crawler	3,190	
D Overall height (to top of cab)	3,040	
E Ground clearance of rear end*	1,090	
F Ground clearance*	460	

Unit: mm

G Tail swing radius	3,100
G' Distance from center of swing to rear end	3,070
H Tumbler distance	3,850
I Overall length of crawler	4,640
J Track gauge	2,590
K Shoe width	600
L Overall width of upperstructure	2,980

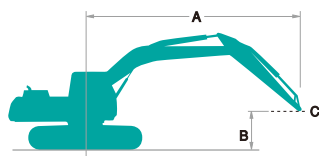
*Without including height of shoe lug



Operating Weight & Ground Pressure

In standard trim, with standard boom, 2.98 m arm, and 1.00 m³ ISO heaped bucket

Shaped		Triple grouser shoes (even height)		
		600	700	800
Shoe width	mm	600	700	800
Overall width	mm	3,190	3,290	3,390
Ground pressure	kPa	51	44	39
Operating weight	kg	25,800	26,000	26,300



Rating over front



Rating over side or 360 degrees

A: Reach from swing centerline to arm top
 B: Arm top height above/below ground
 C: Lift capacities in Kilograms
 Bucket: Without bucket
 Relief valve setting: 34.3 MPa (350 kgf/cm²)

SK260LC		Short Arm: 2.50 m Bucket: Without Shoe: 600 mm Counterweight: 5,580 kg										
A		3.0 m		4.5 m		6.0 m		7.5 m		At Max. Reach		Radius
B												
7.5 m	kg					*5,700	*5,700			*5,760	*5,760	6.14 m
6.0 m	kg					*5,660	*5,660			*5,710	5,100	7.26 m
4.5 m	kg			*7,560	*7,560	*6,310	*6,310	*5,810	4,750	*5,800	4,310	7.94 m
3.0 m	kg			*9,690	9,650	*7,260	6,380	*6,210	4,590	5,930	3,920	8.29 m
1.5 m	kg			*11,410	9,000	*8,190	6,040	*6,680	4,420	5,750	3,780	8.36 m
G. L.	kg			*12,100	8,740	*8,790	5,830	6,640	4,310	5,890	3,850	8.16 m
-1.5 m	kg	*10,360	*10,360	*11,990	8,730	*8,920	5,770	6,620	4,300	6,440	4,190	7.66 m
-3.0 m	kg	*15,390	*15,390	*11,150	8,880	*8,360	5,860			*7,100	5,010	6.79 m
-4.5 m	kg	*12,410	*12,410	*9,080	*9,080					*7,290	7,170	5.38 m

SK260LC		Standard Arm: 2.98 m Bucket: Without Shoe: 600 mm Counterweight: 5,580 kg												
A		1.5 m		3.0 m		4.5 m		6.0 m		7.5 m		At Max. Reach		Radius
B														
7.5 m	kg											*4,470	*4,470	6.70 m
6.0 m	kg							*5,220	*5,220	*5,280	5,000	*4,230	*4,230	7.73 m
4.5 m	kg							*5,930	*5,930	*5,500	4,900	*4,190	4,070	8.37 m
3.0 m	kg					*9,070	*9,070	*6,950	6,570	*5,980	4,720	*4,310	3,740	8.71 m
1.5 m	kg					*11,020	9,320	*7,970	6,220	*6,530	4,540	*4,590	3,610	8.78 m
G. L.	kg					*12,050	8,950	*8,720	5,970	6,720	4,400	*5,090	3,660	8.58 m
-1.5 m	kg	*6,690	*6,690	*10,500	*10,500	*12,220	8,860	*9,010	5,870	6,660	4,350	*5,970	3,930	8.11 m
-3.0 m	kg	*11,820	*11,820	*16,590	*16,590	*11,660	8,950	*8,710	5,900			*6,840	4,570	7.30 m
-4.5 m	kg			*14,010	*14,010	*10,070	9,220	*7,220	6,140			*7,190	6,120	6.01 m

- Notes:**
- Do not attempt to lift or hold any load that is greater than these lift capacities at their specified lift point radius and heights. Weight of all accessories must be deducted from the above lift capacities.
 - Lift capacities are based on machine standing on level, firm, and uniform ground. User must make allowance for job conditions such as soft or uneven ground, out of level conditions, side loads, sudden stopping of loads, hazardous conditions, experience of personnel, etc.
 - Arm top pin is defined as lift point.
 - The above lift capacities are in compliance with ISO 10567. They do not exceed 87% of hydraulic lift capacity or 75% of tipping load. Lift capacities marked with an asterisk (*) are limited by hydraulic capacity rather than tipping load.
 - Operator should be fully acquainted with the Operator's and Maintenance Instructions before operating this machine. Rules for safe operation of equipment should be adhered to at all times.
 - Lift capacities apply to only machine as originally manufactured and normally equipped by KOBELCO CONSTRUCTION MACHINERY CO., LTD.

STANDARD EQUIPMENT

ENGINE

- Engine, HINO J05E-TH, diesel engine with turbocharger and intercooler
- Automatic engine deceleration
- Auto Idle Stop (AIS)
- Batteries (2 x 12V - 96Ah)
- Starting motor (24V - 5 kW), 50 amp alternator
- Automatic engine shut-down
- Engine oil pan drain cock
- Double element air cleaner

CONTROL

- Working mode selector (H-mode, S-mode and ECO-mode)
- Power Boost

SWING SYSTEM & TRAVEL SYSTEM

- Swing rebound prevention system
- Straight propel system
- Two-speed travel with automatic shift down
- Sealed & lubricated track links
- Grease-type track adjusters
- Automatic swing brake

HYDRAULIC

- N & B piping
- Arm regeneration system
- Auto warm up system
- Aluminum hydraulic oil cooler
- Arm interflow system
- Hydraulic fluid filter clog detector

MIRRORS & LIGHTS

- Two rear view mirrors
- Two boom lights
- One storage box lights

CAB & CONTROL

- Two control levers, pilot-operated
- Horn, electric
- Cab light (interior)
- Luggage tray
- Large cup holder
- Detachable two-piece floor mat
- Headrest
- Handrails
- Intermittent windshield wiper with double-spray washer
- Skylight
- Tinted safety glass
- Pull-up type front window and removable lower front window
- Easy-to-read multi-display color monitor
- Automatic air conditioner
- Emergency escape hammer
- Remote machine monitoring system
- Suspension seat
- Two speakers
- 12V outlet (DC/DC)

OPTIONAL EQUIPMENT

- Additional reinforced track guide
- Two cab lights
- Air suspension seat
- Various optional buckets
- Travel alarm
- Lower under cover
- Refilling pump
- Rear view camera
- Front guard
- Various optional arms
- 700 mm shoes
- 800 mm shoes
- Yellow rotating warning light
- N & B piping less
- Rotatory N & B piping
- Boom & arm safety valve and quick hitch piping (N & B piping only)

Note: Standard and optional equipment may vary. Consult your KOBELCO dealer for specifics.

Note: This catalog may contain attachments and optional equipment that are not available in your area. And it may contain photographs of machines with specifications that differ from those of machines sold in your areas. Please consult your nearest KOBELCO distributor for those items you require. Due to our policy of continuous product improvements all designs and specifications are subject to change without advance notice. Copyright by KOBELCO CONSTRUCTION MACHINERY CO., LTD. No part of this catalog may be reproduced in any manner without notice.

KOBELCO CONSTRUCTION MACHINERY CO., LTD.

5-15, Kitashinagawa 5-chome, Shinagawa-ku, Tokyo 141-8626 JAPAN
 Tel: +81 (0) 3-5789-2146 Fax: +81 (0) 3-5789-2135
<https://www.kobelcocm-global.com>

Inquiries To: