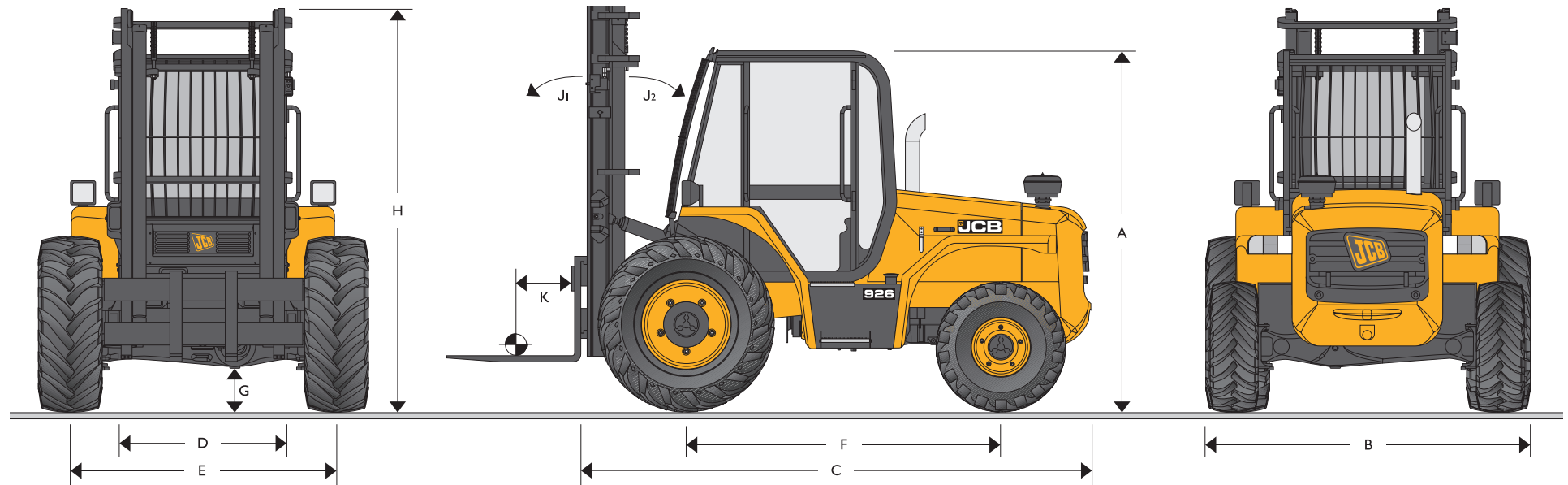


OPERATING WEIGHTS: 5910 to 7500kg LIFT CAPACITY: 2.6 to 4 tonnes



DIMENSIONS

Machine model	926	930	940
	m	m	m
A Overall cab height	2.57	2.57	2.57
B Overall width (over tyres)	2.20	2.20	2.20
C Overall length to front carriage (industrial or bar)	3.60	3.60	3.60
D Inside width of cab	1.10	1.10	1.10
E Front track	1.80	1.80	1.80
F Wheel base	2.10	2.10	2.21
G Ground clearance	0.30	0.30	0.30
H Mast closed height			
3.6m mast	3.00	3.00	2.85
4.5m mast	2.41	2.41	2.50

Machine model	926	930	940
5.5m mast	3.00	3.00	2.80
6.70m mast	Not available	Not available	3.25
Mast open height			
3.6m mast	4.78	4.78	4.84
4.5m mast	5.41	5.41	5.81
5.5m mast	6.65	6.65	6.73
6.70m mast	Not available	Not available	7.84
J1 Mast tilt forwards	18°	18°	10°
J2 Mast tilt backwards	10°	10°	10°
K Load centre	0.50	0.50	0.50

The above data is based on the following specification: Standard fork size 1067 x 100 x 50 mm

TURN RADIUS & GROUND LINE ANGLES

Machine model		926	930	940
Outside turn radius 2WD	m	4.38	4.38	4.45
Outside turn radius 4WD	m	4.35	4.35	4.92
Departure angle		53°	53°	53°
Obstruction angle		51°	51°	51°

The above data based on the following specification: Standard fork size 1067 x 100 x 50 mm

WEIGHT

Machine model		926	930	940
Overall weight	kg	5910	6340	7500

The above data based on the following specification: Standard fork size 1067 x 100 x 50 mm

ENGINE

		926/930/940
Model		JCB Diesel TC-55
Displacement	litres	4.4
Fuel		Diesel
Cooling		Liquid
Bore	mm	103
Stroke	mm	132
Gross power – ISO 14396 @ 2200rpm	kW (hp)	55.0 (74)
Gross torque – ISO 14396 @ 1300rpm	Nm	327
Emission certification		EC Stage IIIA/USA EPA Tier 3
Engine oil service intervals		500 hours

TRANSMISSION

For unbeatable drive power in all conditions, the JCB Synchro Shuttle combines a 4-speed, fully synchromesh gearbox with integral torque converter and electrically operated reversing shuttle for smooth gear changes on the move and fast cycle times. Column mounted electric switch effortlessly controls machine direction changes allowing operator to keep hands on steering wheel. Automotive style pedal layout and conventional H-pattern gear lever add to ease of operation. Travel speed 29kph (18mph).

Front drive axle: JCB epicycle hub reduction drive axle with Max-Trac torque proportioning differentials.
Rear steer axles: JCB manufacture with hydrostatic power steering. Steer shock valve as standard.
 4WD versions with epicyclic hub reduction and Max-Trac torque proportioning differentials.

BRAKES

Service brakes: Hydraulically activated, self-adjusting, oil-immersed in-board multi-disc type in front axle (926/930). Optional Hydraulic Servo assisted, self adjusting brakes on (926/930) standard on 940.
Parking brake: Hand operated disc brake on output of gearbox.

MASTS AND CARRIAGES

Clearview masts manufactured from channel and I-section steel. Heavy-duty mast chains. Guide roller bearings are sealed for life. Industrial class IIIB carriage, or bar carriage available on various masts. Adjustable right hand tilt ram.

TYRES

Machine model		926	930	940
Standard tyres		16.5/85-24	16.5/85-24	16.5/85-24
(UK) Front		Traction	Traction	Traction
Rear 2WD		12.5/80-18	12.5/80-18	12.5/80-18
		Rib and bar	Rib and bar	Rib and bar
Rear 4WD		12.5/80-18	10.5-18	12.5/80-18
		Traction	Traction	Traction

HYDRAULICS

Single gear pump with steer priority valve, suction strainer and filter. Operating system pressure: 221 bar, flow 55 ltr/min. Pipe burst protection on mast hydraulics.

AUTOMATIC DERATION

Deration valve: 5.5m and 6.70m are fitted with a deration valve which automatically reduces lift capacity above 4.5m for safety and stability.

SERVICE CAPACITIES

	litres
Fuel tank	88
Hydraulic tank	60
Coolant	17

ELECTRICS

12v negative earth. 95Ah battery. 65 amp alternator. Full road lighting, direction indicators, hazard warning reverse and fog light.

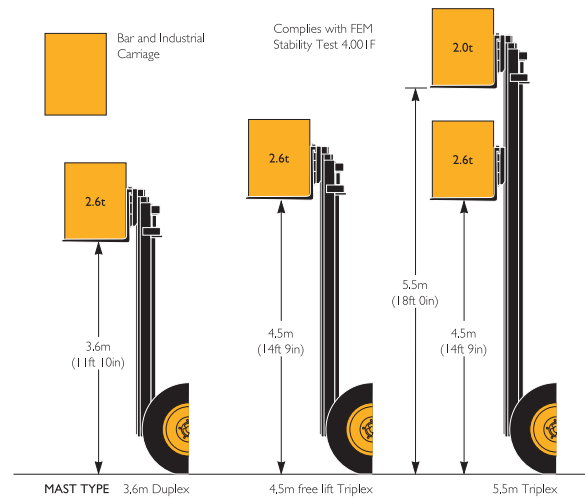
OPERATOR MODULE

Safety quiet cab or canopy, FOPS standard (falling object protective structure) to FEM Section IV and ANSI B56.6 – 1978.
Cab: Resiliently mounted, two door access, level floor with mat, safety glass all round with laminated roof window, bolt on roof bars. Fitments include: velour seat, rear view mirror and 2 speed heater/demister. Front/Rear screen wiper and washer, horn. Handbook. Instruments for hourmeter battery charge. Audible/Visual warning system for alternator charge, coolant temperature, engine oil pressure, blocked air filter, transmission oil pressure and temperature. Warning lights for: main beam, hazard warning, park brake on, direction indicators. Hydraulic control levers, gear lever, park brake, forward/reverse lever, 4WD disconnect, throttle, brake, and transmission disconnect pedal.
Canopy: As above but with no glazing (screen wiper and heater/screen demister not applicable), and rear fenders are standard.

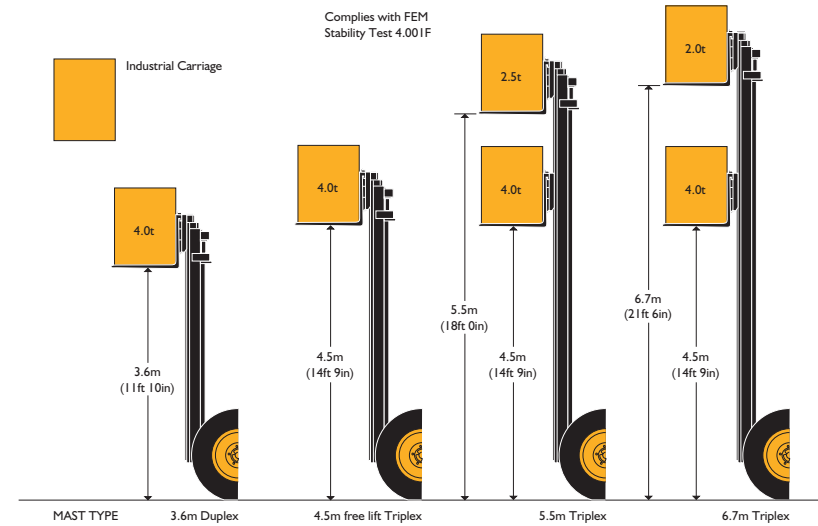
OPTIONS AND ATTACHMENTS

Auxiliary carriage services via hose reel for powered attachments. Wheel and tyres sets. Tinted cab glazing. Suspension seat. Seat belt. Roof screen wash/wipe. Flashing roof beacon. Fire extinguisher. Cab exterior mirrors. Front screen bars. Optional rear fenders. Reversing lights. Propshaft guards. Air pre-cleaner. Engine fan guard kit. Contact your local dealer for details of the comprehensive range of attachments.

926 CAPABILITIES



940 CAPABILITIES



930 CAPABILITIES

